

MODENA



Built-in Catalog



MODENA

Copyright © 2022 MODENA. All rights reserved



MODENA

Our vision to become **a driving force towards an interconnected future** is what drives us here at **MODENA**.

Every day, we strive to make life easier for all our customers by creating sophisticated products that are simple to operate. Supported by a design studio in Italy, world-class R&D centers, and manufacturing facilities around the globe, we have earned the trust of customers worldwide as a provider of home and living solutions that are renowned for their aesthetic refinement, as well as their longevity and innovative technology.

MODENA



1960s

MODENA inception in Emilia Romagna-Italy.

1970s

Range expansion & beginning of export.



1980s

MODENA moves its global headquarter to Asia.

2010s

Range expansion into Professional, Energy, Mobility and beyond.

Inspired by the way you perform your daily activities.

We look to you as we innovate and create new, exciting products. Here, you will discover our best product line-up yet, including Nebula Glass hobs, multi-functional ovens, sterilizing chimney hoods, and more - the manifestations of our mission to make life better and easier for you.



MODENA

Beauty is to be experienced.

**We fully understand that good
design is thoughtful.**

Hence, we consistently draw inspiration from all corners of the world and work with various experts to add that special touch. As a result, we are proud to say that the products we craft not only look great but also serve a greater purpose.



Time is **essence** of **practicality.**

Between the hustle and bustle of modern life, it is important to reward yourself with moments of comfort. Therefore, we equip all our products with built-in features, designed to give you the ultimate peace and convenience. Our best-selling portable induction cooker, for example, comes in a lightweight design that enhances mobility, allowing you to cook whenever and wherever you please.






A commitment to provide timeless products.

**We want our products to serve you
for years to come.**

Therefore, we always design our home appliances and professional kitchen equipments with durability and reliability in mind. We uphold timeless aesthetics and the use of superior materials to create products that can be passed down to future generations. Even after years have gone, We believe that our products will remain relevant and easily maintained for improved longevity.



MODENA

Professional

Elegant heavy-duty
solutions for a
fast-paced industry



Contents

Built-in

Hobs

Hoods

Oven

Microwave

Refrigerator

Dishwasher





Teal upper kitchen cabinets with a white range hood and a glass-fronted cabinet section.

Stainless steel gas range and oven unit integrated into the teal cabinetry.

Large window with a white blind, providing a view of greenery outside.

Three copper pendant lights hanging from the ceiling over the island.

White countertop island with a teal base and a wooden cutting board on top.

Two light-colored wooden bar stools positioned at the island.

Small potted plant on the countertop.

Dark bottle and orange on the countertop.





MODENA

Hobs

MODENA



Gas Safety Technology

Ensures the safety of the cooker, as the thermocouple sensor immediately shuts off the gas flow once the cooking flame is extinguished.



Super Alloy Burner

Processed with isothermal forging at over 850°C, which increases durability and allows higher and faster heat convection.



One Hand Ignition

Lighter that is integrated with the knob that makes it easy to turn the stove on.



Freezone Technology

More flexibility by combining the cooking zone into one big space for placing the cooking pans



Sliding Touch

The touch panel gives a modern impression on the stove appearance and simplifies the operation and setting process.

Introducing

The First Nebula Glass Hob.

Elegant and built-to-last, our kitchen hob is made from the strongest material in our long history of producing kitchen appliances.



Touch Control System



Induction Technology

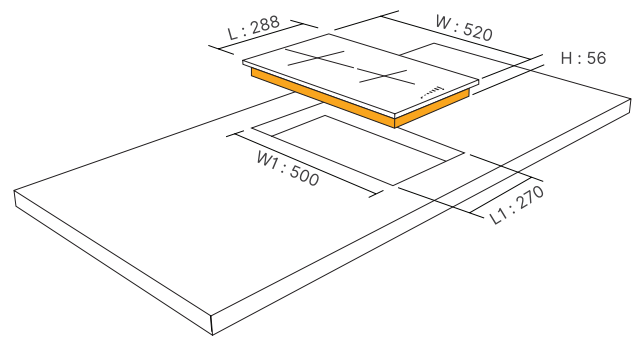
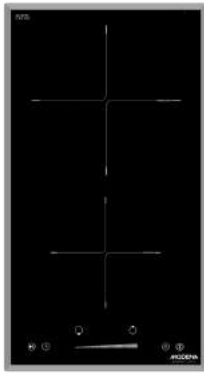


Automatic Turn-Off



Digital Timer

Hob Built-In Induction Hobs



BI 1325

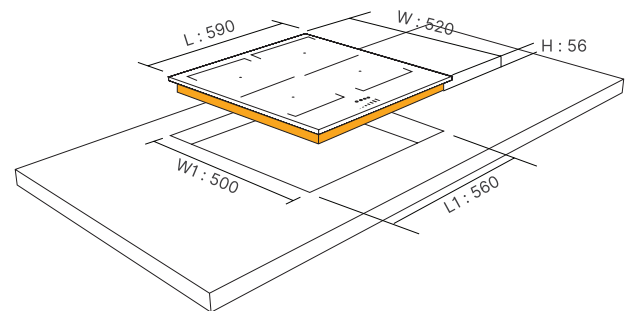
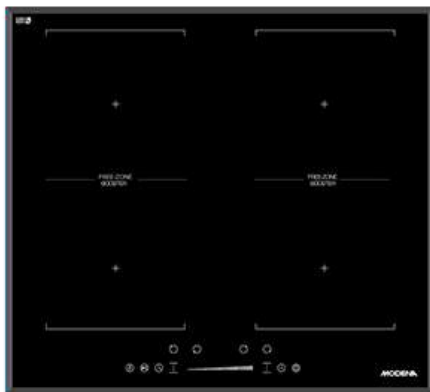
Schott Glass with Beveled Edge
288 × 520 × 56 mm
Diamond Black

Cut-Out Dimension 270 × 500 mm

ø 210 mm 2000 W x1

ø 160 mm 1500 W x 1

- 2 Quantity of Zones
- 9 Cooking Levels
- Slide Touch Control System
- Induction Technology
- Automatic Turn-Off
- Digital Timer
- Integrated Cooling System
- Residual Heat Indicator
- Child lock



BI 1625 F

Eurokera Glass with Beveled Edge
590 × 520 × 56 mm
Diamond Black

Cut-Out Dimension 560 × 500 mm

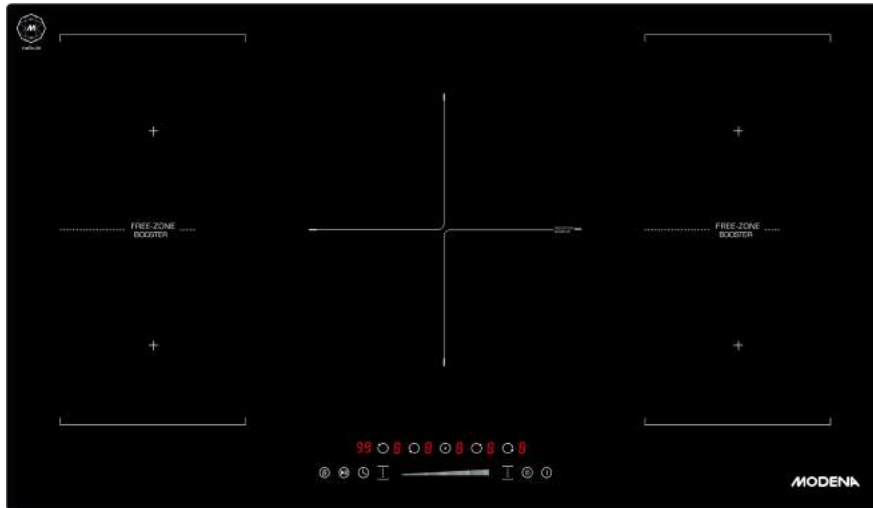
ø 190 mm 2000 W (2600 W w/ Booster) x 2

ø 190 mm 1500 W (2000 W w/ Booster) x 2

ø 400 × 200 mm Freezone 3000 W

(3600 W w/ Booster) x 2

- 2 Free Zones
- 9 Cooking Levels
- Slide Touch Control System
- Induction Technology
- Booster Control
- Automatic Turn-Off
- Digital Timer
- Integrated Cooling System
- Residual Heat Indicator
- Child lock



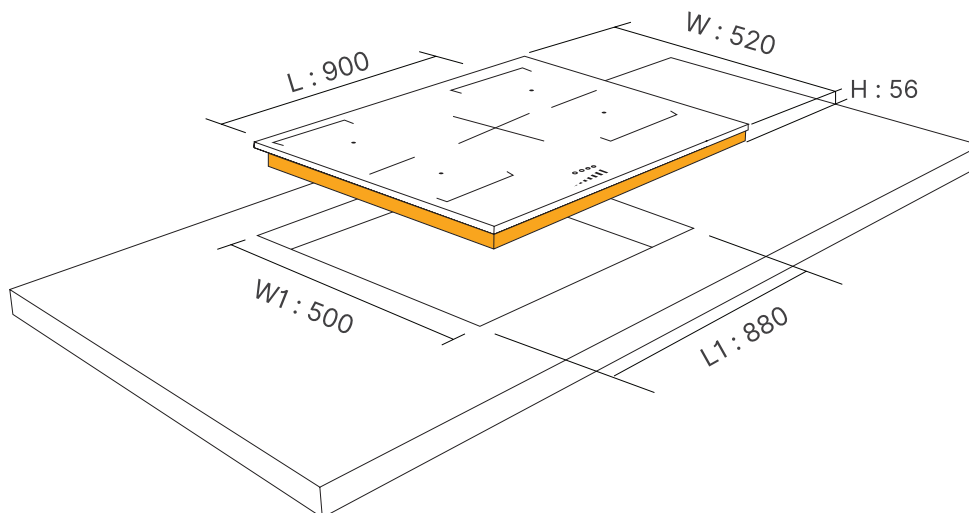
BI 0935 ^{FAM}

Nebula Ceramic Glass
900 × 520 × 56 mm
Diamond Black

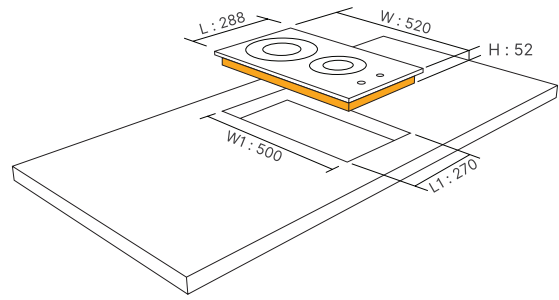
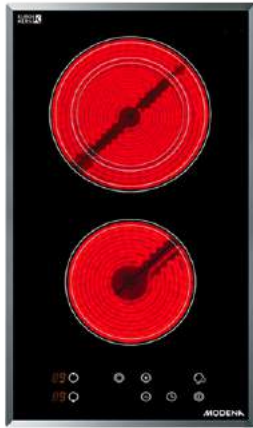
Cut-Out Dimension 880 × 500 mm

- ∅ 190 mm 2000 W (2600 W w/ Booster) x 2
- ∅ 190 mm 1500 W (2000 W w/ Booster) x 2
- ∅ 280mm 2300 W (3000 W w/ Booster) x 1

- 2 Free zone + 1 Zone
- 9 Cooking Levels
- Slide Touch Control System
- Induction Technology
- Booster Control
- Automatic Turn-Off
- Digital Timer
- Integrated Cooling System
- Residual Heat Indicator
- Child lock



Hob Built-In Vitroceramic Hobs



BC 1321 L

Eurokera Glass with Beveled Edge

288 × 520 × 52 mm

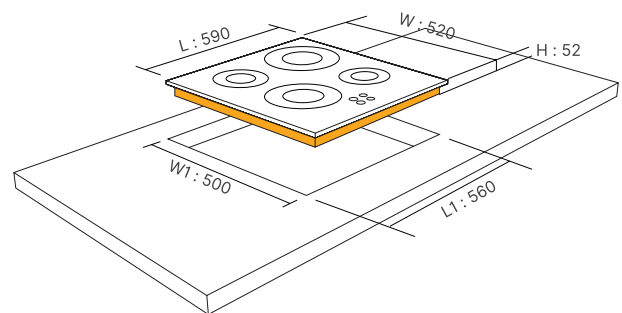
Diamond Black

Cut-Out Dimension 270 × 500 mm

∅ 165 mm 1200 W x 1

∅ 120-200 mm 1000/2000 W x 1

- 2 Quantity of Zones
- 9 Cooking Levels
- Touch Control System
- Infrared Technology
- Automatic Turn-Off
- Digital Timer
- Integrated Cooling System
- Residual Heat Indicator
- Child Lock



BC 1640 LAM

Eurokera Glass with Beveled Edge

590 × 520 × 52 mm

Diamond Black

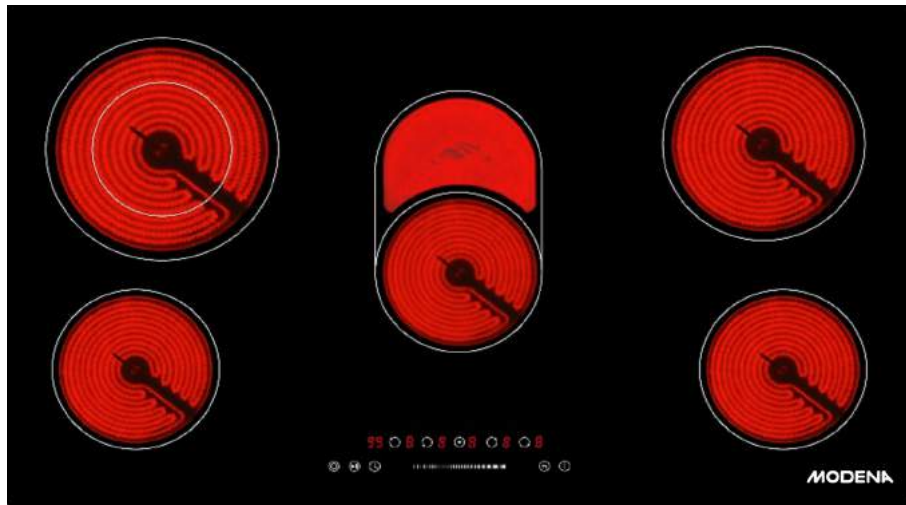
Cut-Out Dimension 560 × 500 mm

∅ 165 mm 1200 W x 2

∅ 200 mm 1800 W x 1

∅ 138-230 mm 1100 /2200 W x 1

- 4 Quantity of Zones
- 9 Cooking Levels
- Touch Control System
- Infrared Technology
- Automatic Turn-Off
- Digital Timer
- Integrated Cooling System
- Residual Heat Indicator
- Child Lock



BC 0955 LAM

Nebula Ceramic Glass

900 × 520 × 52 mm

Diamond Black

Cut-Out Dimension 880 × 500 mm

∅ 165 mm 1200 W x 2

∅ 200 mm 1800 W x 1

∅ 165-270 mm 1100/2000 W x 1

∅ 138-230 mm 1100/2000 W x 1

5 Quantity of Zones

9 Cooking Levels

Touch Control System

Infrared Technology

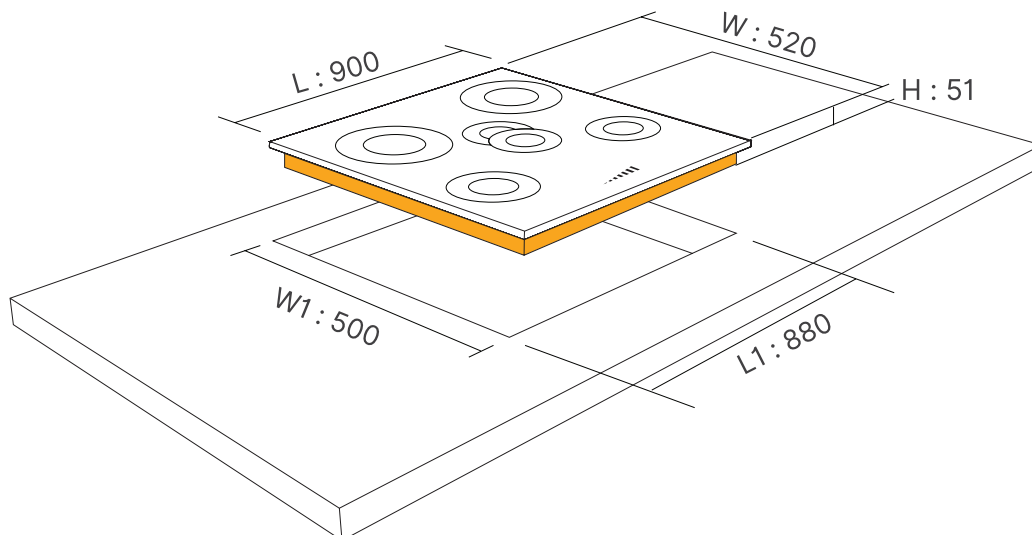
Automatic Turn-Off

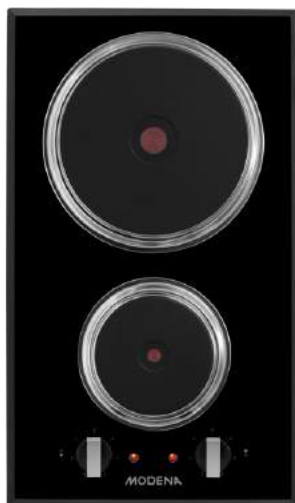
Digital Timer

Integrated Cooling System

Residual Heat Indicator

Child Lock





BE 1325

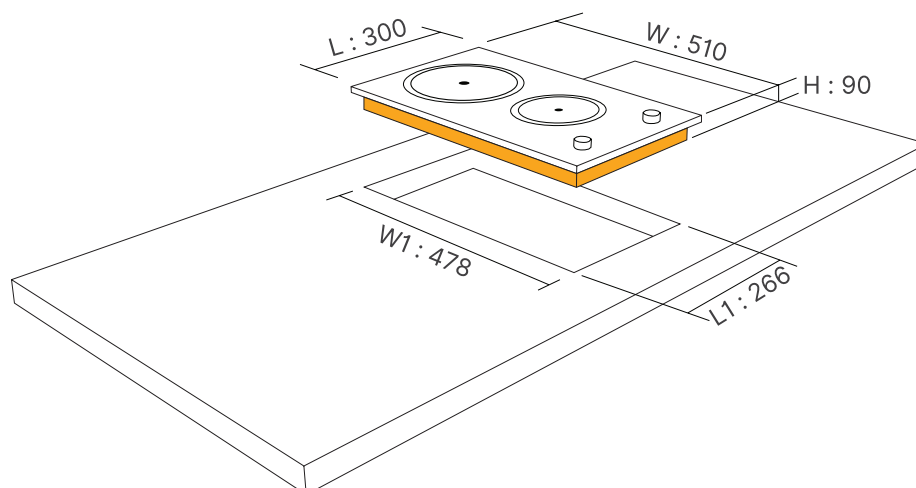
Nebula Tempered Glass Top Plate
300 × 510 × 90 mm
Diamond Black

Cut-Out Dimension 266 × 478 mm

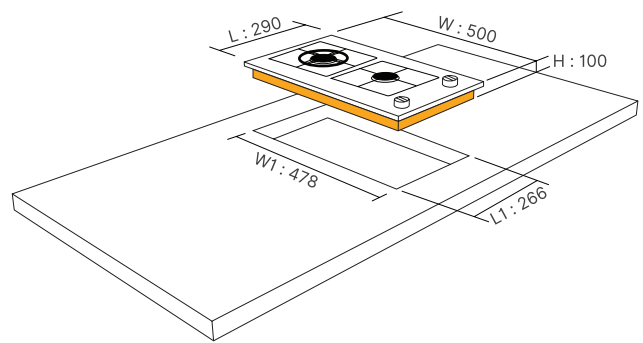
∅ 180 mm 2000 W x 1

∅ 110 mm 600 W x 1

2 Heating Plates
Mechanical Control
6 Power Levels
Residual Heat Indicator



Hob Built-In Gas Hobs



BH 3324

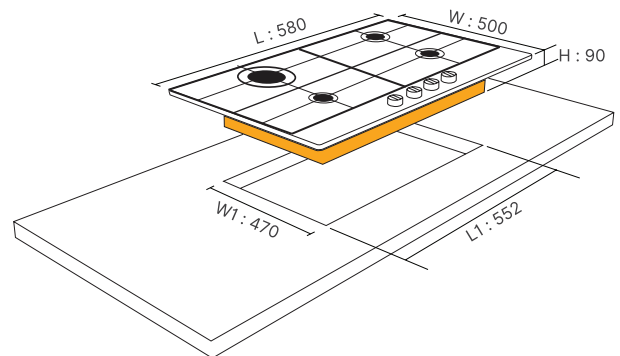
Stainless Steel Panel
290 × 500 × 100 mm
Brilliant Stainless Steel

Cut-Out Dimension 266 × 478 mm

∅ 3-Ring Burner 3400 W x 1

∅ Medium Burner 1880 W x 1

2 Gas Burners
Eco Gas System
Gas Safety Technology
One Hand Ignition
Cast Iron Grid
Extra Nozzle for Natural Gas



BH 3649^{STM}

Stainless Steel Panel
580 × 500 × 90 mm
Brilliant Stainless Steel

Cut-Out Dimension 552 × 470 mm

∅ 3-Ring Burner 3400 W x 1

∅ Medium Burner 1880 W x 2

∅ Small Burner 900 W x 1

4 Gas Burners
Eco Gas System
Gas Safety Technology
One Hand Ignition
Cast Iron Grid
Extra Nozzle for Natural Gas



BH 3958 SAM

Stainless Steel Panel

860 × 500 × 90 mm

Brilliant Stainless Steel

Cut-Out Dimension 827 × 470 mm

∅ 3-Ring Burner 3400 W x 1

∅ Large Burner 2400 W x 1

∅ Medium Burner 1880 W x 2

∅ Small Burner 900 W x 1

5 Gas Burners

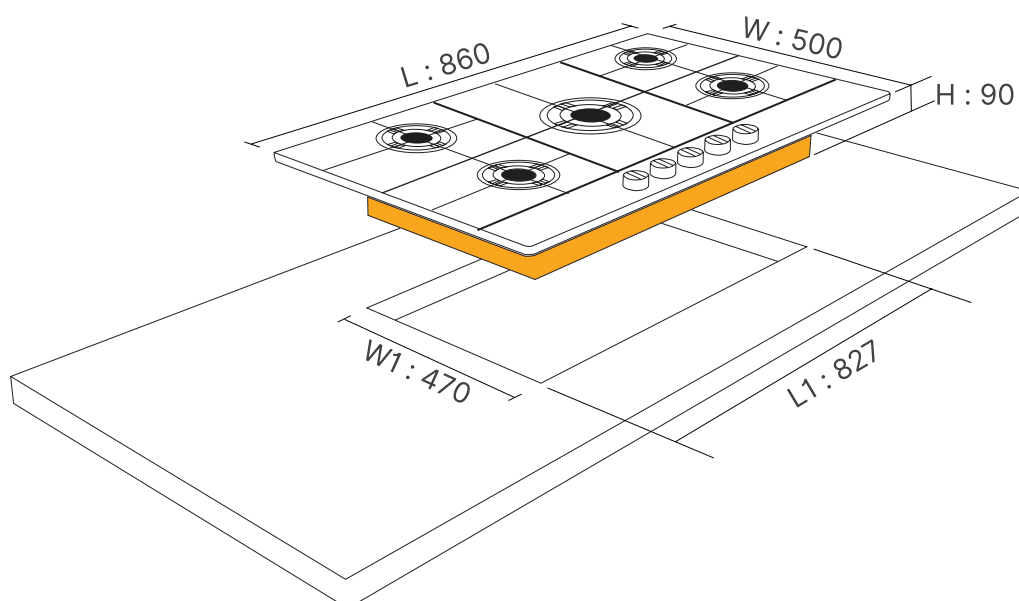
Eco Gas System

Gas Safety Technology

One Hand Ignition

Cast Iron Grid

Extra Nozzle for Natural Gas





BH 1325

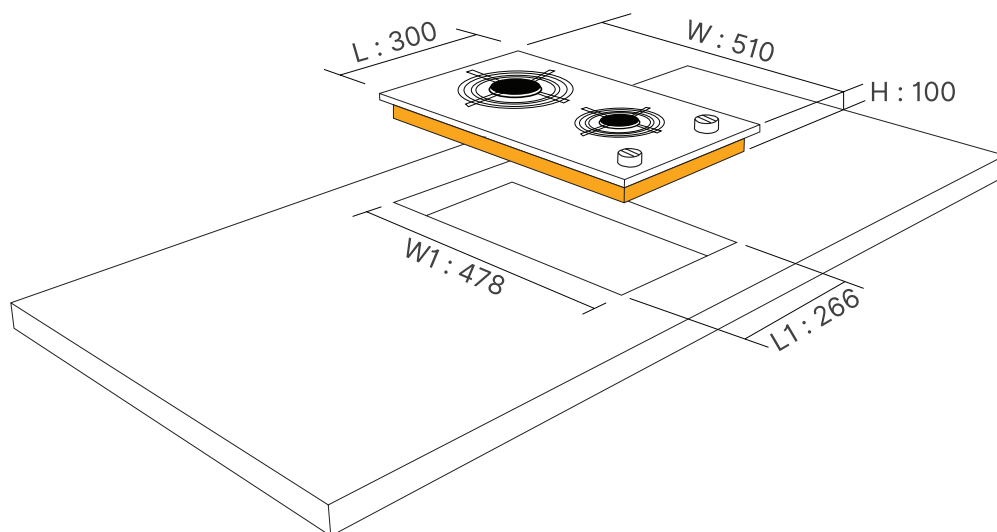
Nebula Tempered Glass
300 × 510 × 100 mm
Diamond Black

Cut-Out Dimension 266 × 478 mm

∅ 3-Ring Burner 3400 W x 1

∅ Medium Burner 1880 W x 1

- 2 Gas Burners
- Eco Gas System
- Gas Safety Technology
- One Hand Ignition
- Cast Iron Grid
- Extra Nozzle for Natural Gas





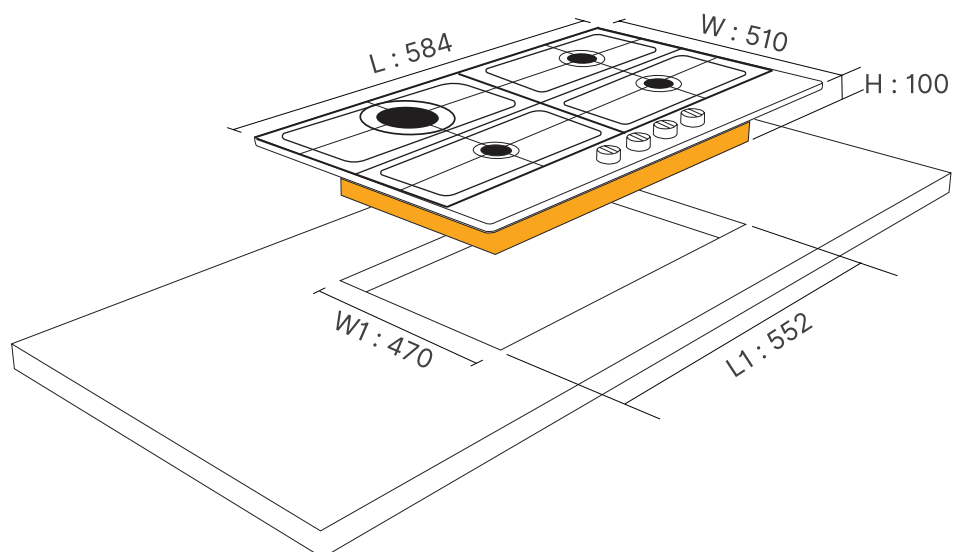
BH 2648 LBM

Nebula Tempered Glass
584 × 510 × 100 mm
Diamond Black

Cut-Out Dimension 552 × 470 mm

- ∅ 3-Ring Burner 3400 W x 1
- ∅ Medium Burner 1880 W x 2
- ∅ Small Burner 900 W x 1

- 4 Gas Burners
- Eco Gas System
- Gas Safety Technology
- One Hand Ignition
- Cast Iron Grid
- Extra Nozzle for Natural Gas



Hob Built-In Gas Hob



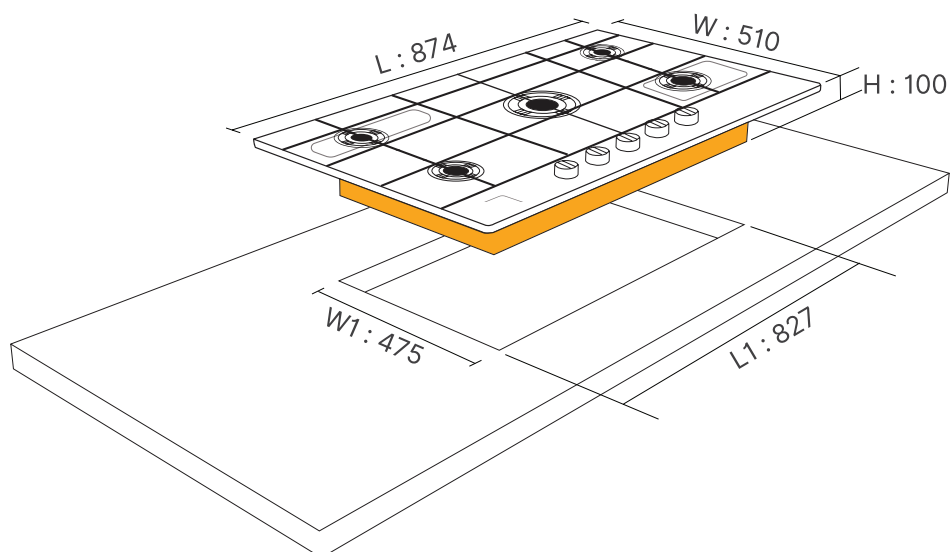
BH 2958 LBM

Nebula Tempered Glass
874 × 510 × 100 mm
Diamond Black

Cut-Out Dimension 827 × 475 mm

- ∅ 3-Ring Burner 3400 W x 1
- ∅ Large Burner 2400 W x 1
- ∅ Medium Burner 1880 W x 2
- ∅ Small Burner 900 W x 1

- 5 Gas Burners
- Eco Gas System
- Gas Safety Technology
- One Hand Ignition
- Cast Iron Grid
- Extra Nozzle for Natural Gas







MODENA



MODENA

MODENA

Hoods

MODENA





Aluminum Cassette Filter

This grease filter system consists of five aluminum layers, for optimal filtration resulting in clean air.



Touch Control System

Set and operate your hood with ease through this touch control system, and enjoy a modern and streamlined look kitchen.



Peritraction System

A more focused air suction design for faster ventilation, keeping the kitchen clean and smoke-free while you cook.



Germinator System

Gives out active ions which effectively kill germs and bacteria and cleans dirty air.



LED Lamp

Warm, energy-efficient lighting for optimal illumination in the kitchen.



Vit-C Filter

A filter made of special materials impregnated with vitamin C, resulting in fresh and clean kitchen air.



Carbon Active Filter

The filter contains active carbon particles that absorb smoke and neutralize unpleasant odors.



Exhaust & Recirculating System

A dual system that can be adjusted to your kitchen installation method, using either an exhaust or recirculation system.

Hood

Cool Blast Hood Technology™

Enjoy a pleasant cooking experience with our innovative hood technology, which works by absorbing hot air and steam as you cook and replacing it with cool, crisp air.



Smart
Reminder



Germinator
System



Vit-C
Filter



Carbon Active
Filter

Hood Wall Type



360° Air Hood – CX 6761

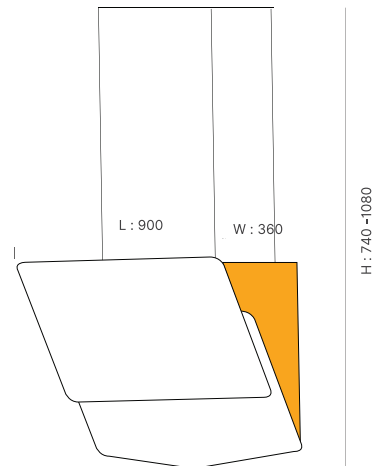
Tempered Glass
600 × 360 × 740 -1080 mm
Diamond Black

New Innovation Hoods – Wall Type

Turbo Motor 1 × 250 W
LED Lamp 2 × 0.5 W

Cool Blast
Double Exhaust System
3 Speed Levels
Touch Control System
Hand Gesture System
Suction Power 750 m3/h

Aluminium Filter
Carbon Filter
2 Pcs Chimney
Extra Extensible Hose
Outlet Diameter 150 mm



360° Air Hood – CX 9761

Tempered Glass
900 × 360 × 740 - 1080 mm
Diamond Black

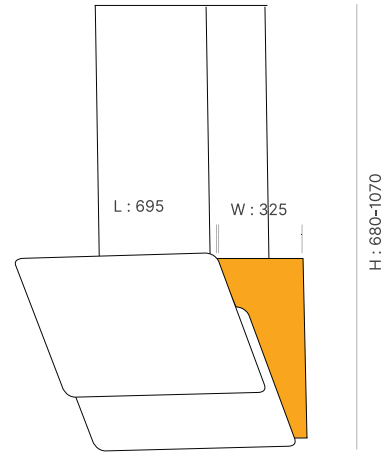
New Innovation Hoods – Wall Type

Turbo Motor 1 × 250 W
LED Lamp 2 × 0.5 W

Cool Blast
Double Exhaust System
3 Speed Levels
Touch Control System
Hand Gesture System
Suction Power 750 m /h

Aluminium Filter
Carbon Filter
2 Pcs Chimney
Extra Extensible Hose
Outlet Diameter 150 mm

Hood Wall Type



CX 7712 L

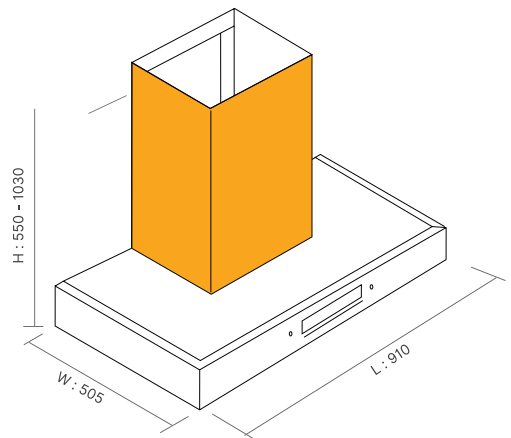
Galvanized Steel Material with Tempered Glass
695 × 325 × 680 - 1070 mm
Diamond Black

Wall Type

Turbo Motor 1 × 130 W
LED Lamp 2 × 1 W

3 Speed Levels
Push Button Control System
Suction Power 700 m³/h
Cassette Aluminum Filter

Carbon Filter
2 Pcs Black Painted Chimney
Extra Extensible Hose
Outlet Diameter 150 mm



CX 9156

Stainless Steel with Tempered Glass
910 × 505 × 550 - 1030 mm
Diamond Black

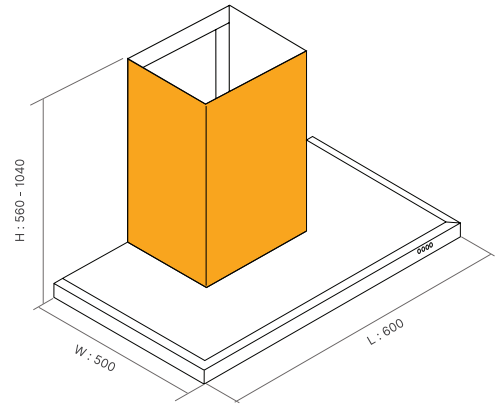
Wall Type

Turbo Motor 1 × 300 W
LED Lamp 2 × 2 W

Germinator Technology (Ionizer)
Peritraction System
Cleaning Reminder
Heat Sensor
LCD Display
Touch Control System
3 Speed Levels + Turbo
Cassette Aluminum Filter

Vitamin C Filter
Carbon Filter
Oil Collector
2 Pcs Stainless Steel Chimney
Extra Extensible Hose
Outlet Diameter 150 mm

Hood Wall Type



CX 6150

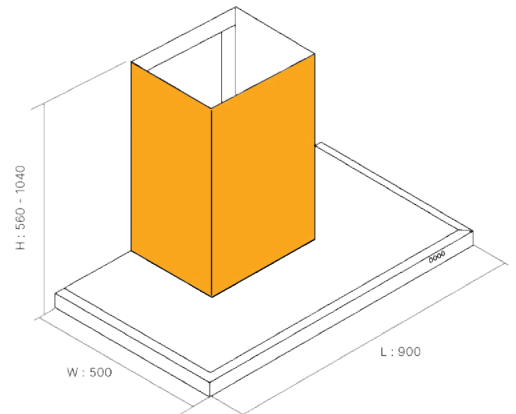
Stainless Steel
600 × 500 × 560 - 1040 mm
Brilliant Stainless Steel

Wall Type

Turbo Motor 1 × 200 W
LED Lamp 2 × 0.5 W

Germinator Technology (Ionizer)
3 Speed Levels
Push Button Control System
Suction Power 900 m³/h
Cassette Aluminum Filter
Vitamin C Filter

Carbon Filter
Oil Collector
2 pcs Stainless Steel Chimney
Extra Extensible Hose
Outlet Diameter 150 mm



CX 9150

Stainless Steel
900 × 500 × 560 - 1040 mm
Brilliant Stainless Steel

Wall Type

Turbo Motor 1 × 200 W
LED Lamp 2 × 0.5 W

Germinator Technology (Ionizer)
3 Speed Levels
Push Button Control System
Suction Power 1000 m³/h
Cassette Aluminum Filter
Vitamin C Filter

Carbon Filter
Oil Collector
2 pcs Stainless Steel Chimney
Extra Extensible Hose
Outlet Diameter 150 mm

Hood Slim Type



SX 6001 S

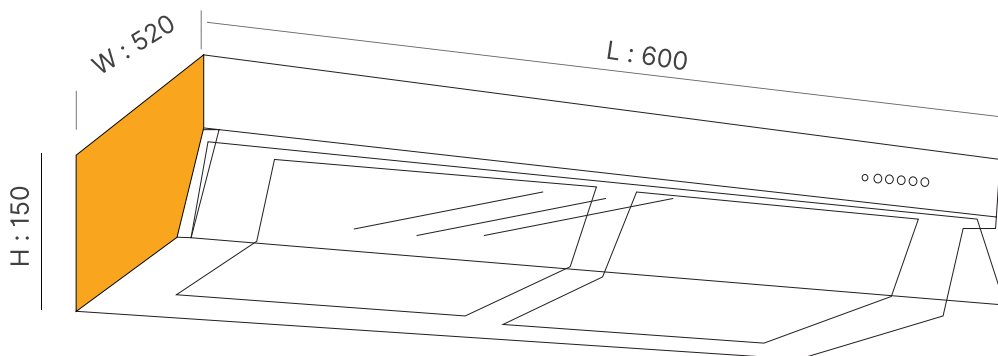
Metal Body
600 × 520 × 150 mm
Stainless Grey Painted

Slim Type

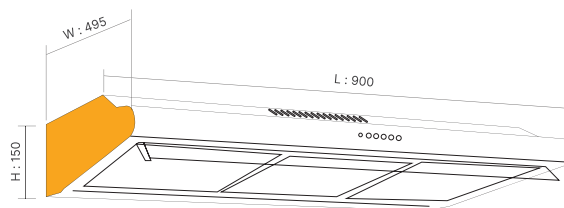
Motor 1 × 125 W
Bulb 1 × 40 W

Germinator Technology (Ionizer)
3 Speed Levels
Push Button Control System
Suction Power 400 m³/h

Cassette Aluminium Filter
Carbon Filter
Vitamin C Filter
Outlet Diameter 120 mm



Hood Slim Type



SX 9502 V

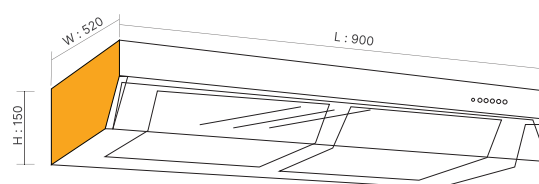
Metal Body
900 × 495 × 150 mm
Brilliant Stainless Steel

Slim Type

Motor 2 × 125 W
Bulb 2 × 40 W

Germinator Technology (Ionizer)
3 Speed Levels
Push Button Control System
Suction Power 520 m³/h

Cassette Aluminium Filter
Carbon Filter
Vitamin C Filter
Outlet Diameter 120 mm



SX 9002 S

Metal Body
900 × 520 × 150 mm
Stainless Grey Painted

Slim Type

Motor 2 × 125 W
Bulb 2 × 40 W

Germinator Technology (Ionizer)
3 Speed Levels
Push Button Control System
Suction Power 520 m³/h

Cassette Aluminium Filter
Carbon Filter
Vitamin C Filter
Outlet Diameter 120 mm

MODENA



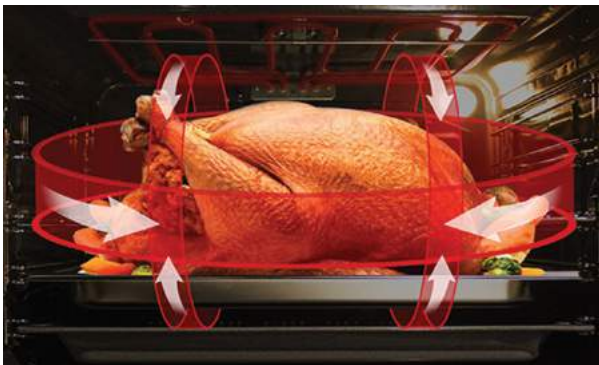


MODENA

Ovens & Microwave

MODENA





360° Circulation Heat

The convection fire heating system that can be programmed above and below, makes the oven's performance to be maximal.



Ultraflow Technology

Prevents heat from reaching the outside surface of the oven, by automatically switching on the cooling system when the oven turns on.



Triple Glass Door

A sturdy triple glass oven door ensures that the outer oven door surface stays cool.



Timer

Equipped with a 60-minute timer for handy reminders while cooking.



TFT Control System

A new panel control for quick and easy operation.

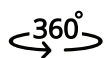
Oven

Multi-Function Oven Technology™

A refined range of multi-tasking ovens, each type is equipped with the latest innovations in cooking technology, enhancing your kitchen with a simple yet elegant look, even in smaller spaces.



Auto-Cooking
Programs



360°
Circulation Heat



Ultraflow
Technology



Steam
Function

Oven Built-In Electric Oven & Microwave Oven



BO 7838

Glass

595 × 610 × 595 mm

Diamond Black

Electric Oven

Cut-Out Dimension 560 × 550 × 580 mm

Capacity : 80 Liters

Electric Lower Heater 1200 W

Electric Back Heater 1800 W

Electric Grill 1200 W + 2400 W

16 Multifunction Programs

Convection Fan

3 Layer Glass

Side Rack

Rotisserie

Digital Timer

TFT Control Panel + Electric Knob

System

Adjustable Thermostat

Ultraflow Cooling Technology

Oven Light

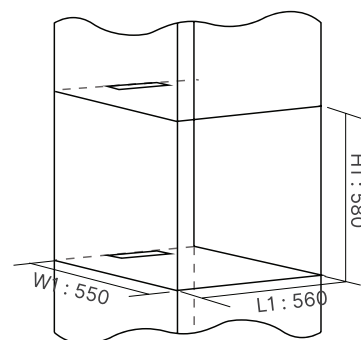
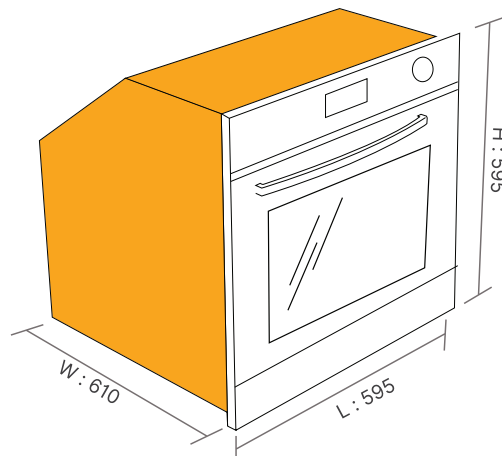
Meat Probe

1 Oven Rack

1 Oven Tray

1 Tray Handle

1 Deep Tray



Oven Built-In Electric Oven & Microwave Oven



BO 6633

Glass

595 × 610 × 595 mm

Diamond Black

Electric Oven

Cut-Out Dimension 560 × 550 × 580 mm

Capacity : 67 Liters

Electric Lower Heater 1200 W

Electric Back Heater 2100 W

Electric Grill 1000 + 1900 W

11 Multifunction Programs

Convection Fan

3 Layer Glass

Side Rack

Rotisserie

Digital Timer

Full Touch Control System

Adjustable Thermostat

Ultraflow Cooling Technology

Oven light

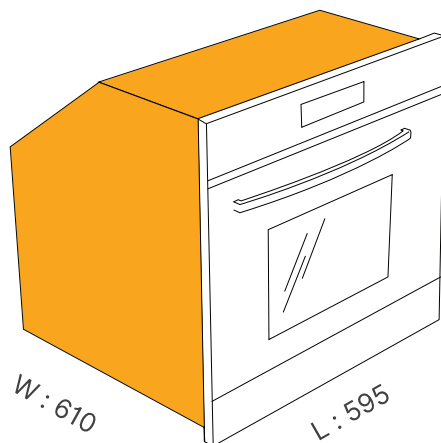
Soft Closing Door

2 Oven Racks

1 Oven Tray

1 Tray Handle

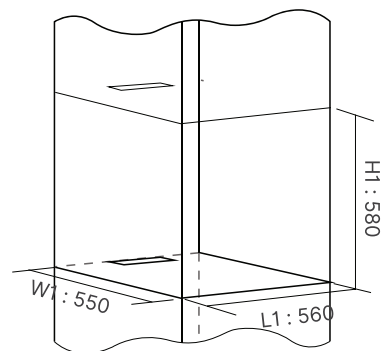
Steam Oven Tray



H : 595

W : 610

L : 595



W1 : 550

L1 : 560

H1 : 580

Oven Built-In Electric Oven & Microwave Oven



BO 4630

Glass & Stainless Steel

595 × 610 × 595 mm

Diamond Black + Brilliant Stainless Steel

Electric Oven

Cut-Out Dimension 560 × 550 × 580 mm

Capacity : 67 Liters

Electric Lower Heater 1200 W

Electric Back Heater 2100 W

Electric Grill 1000 + 1900 W

8 Multifunction Programs

Convection Fan

3 Layer Glass

Side Rack

Rotisserie

Digital timer

Knob + Button Control System

Adjustable Thermostat

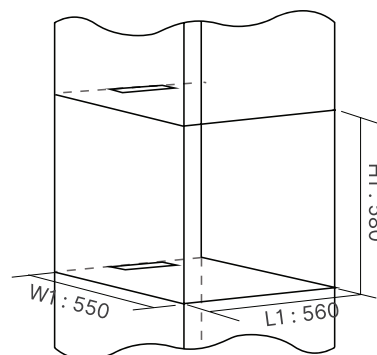
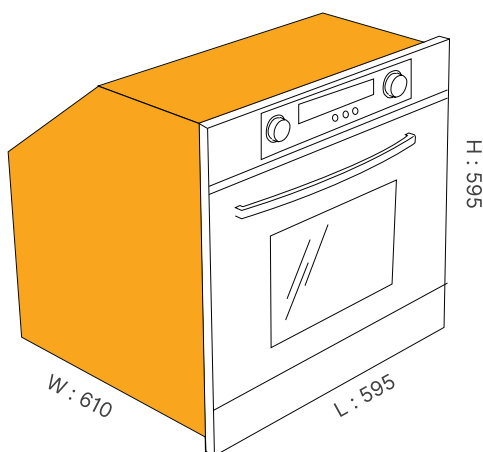
Ultraflow Cooling Technology

Oven Light

2 Oven Racks

1 Oven Tray

1 Tray Handle



Oven Built-In Electric Oven & Microwave Oven



BO 2633

Glass

595 × 610 × 595 mm

Diamond Black

Electric Oven

Cut-Out Dimension 560 × 550 × 580 mm

Capacity : 56 Liters

Electric Lower Heater 1200 W

Electric Back Heater 2100 W

Electric Grill 1000 + 1900 W

8 Multifunction Program

Convection Fan

3 Layer Glass

Side Rack

Rotisserie

Mechanical Timer

Knob Control System

Adjustable Thermostat

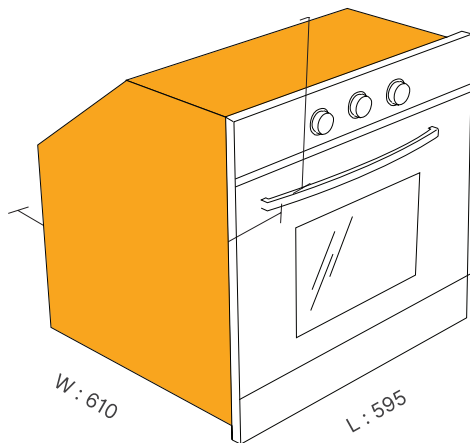
Ultraflow Cooling Technology

Oven Light

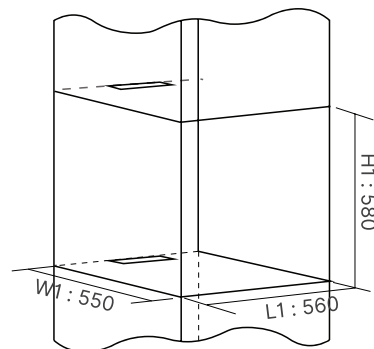
2 Oven Racks

1 Oven Tray

1 Tray Handle



H : 595



W1 : 550

L1 : 560

H1 : 580

Oven Built-In Electric Oven & Microwave Oven



BO 9130 SAM

Stainless Steel

895 × 568 × 475 mm

Brilliant Stainless Steel

Electric Oven

Cut-Out Dimension 860 × 550 × 472 mm

Capacity : 110 Liters

Electric Lower Heater 1300 W

Electric Back Heater 2800 W

Electric Grill 1050 + 2000 W

9 Multifunction Programs

Convection Fan

3 Layer Glass

Side Rack

Rotisserie

Digital Timer

Knob + Button Control System

Adjustable Thermostat

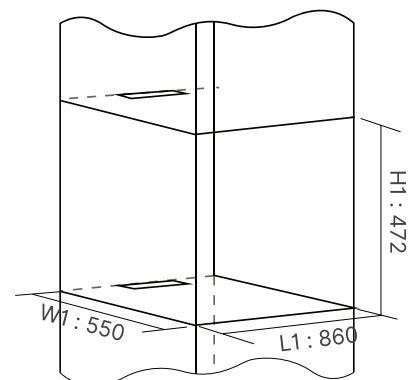
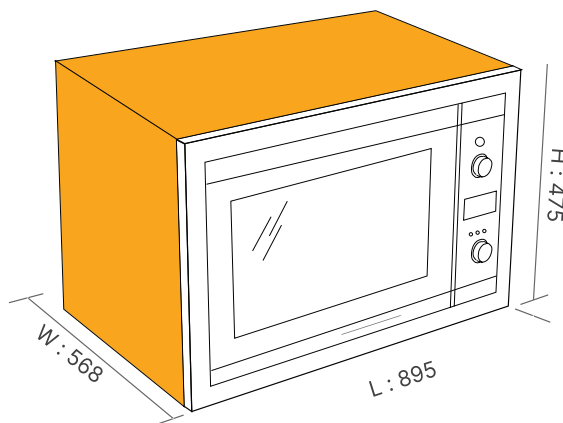
Ultraflow Cooling Technology

Oven light

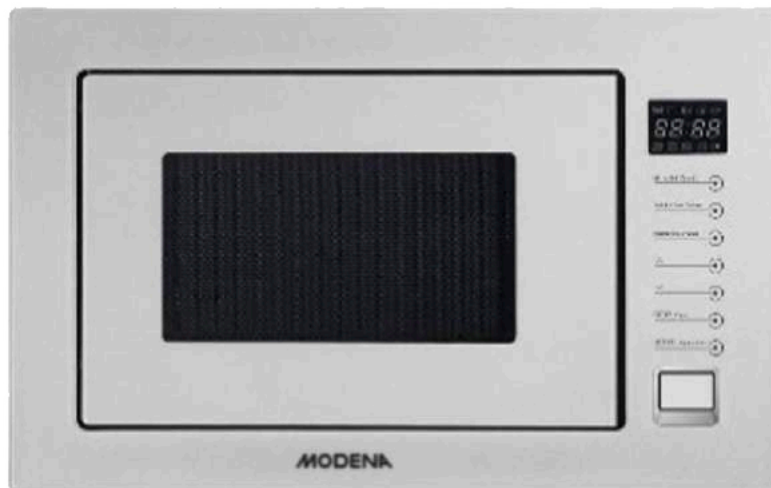
1 Oven Rack

1 Oven Tray

1 Small Rack



Oven Built-In Electric Oven & Microwave Oven



MG 2517 WAM

Glass & Stainless Steel

595 × 401 × 388 mm

Pearl White + Brilliant Stainless Steel

Built-in Microwave Oven

Cut-Out Dimension 560 × 500 × 380 mm

Capacity : 25 Liters

Rated input (Microwave) 1450 W

Rated output (Microwave) 900 W

Microwave + Grill

Stainless Steel Cavity

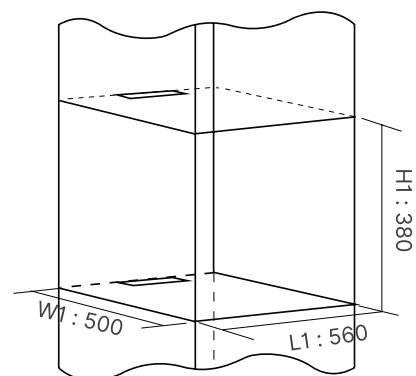
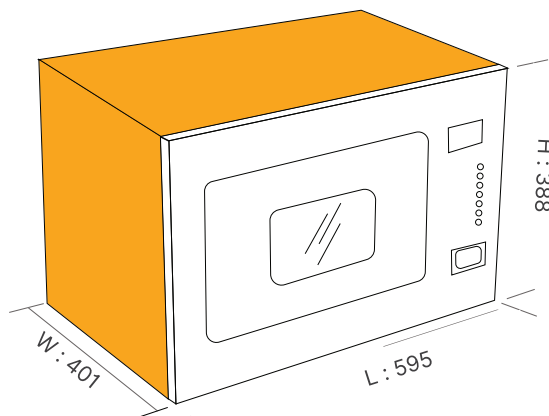
315 mm Glass Turntable

8 Auto Menu

Defrost by Weight/Time

Kitchen Timer Cooking End Signal

Child Lock





MODENA

06°C
-23°C

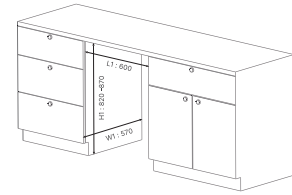
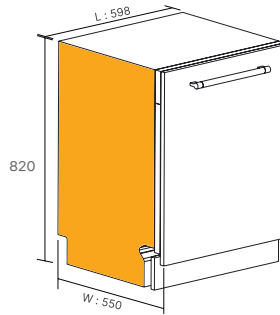
FRIGORIFERO
FRIGORIFERO
FRIGORIFERO
FRIGORIFERO



A black and white photograph of a refrigerator's control panel. A hand is pointing at a digital display that shows the temperature as -25°C. To the right of the display is a snowflake icon. Below the control panel, the interior of the refrigerator is visible, showing a shelf and a door with a label that partially reads 'MODE' and 'Total - N'.

Refrigerator & Dishwasher

Built-in Refrigerator and Dishwasher



WP 9153 ^{WVM}

Built-in Dishwasher
598 × 550 × 820 mm
Pearl White

Cut-Out Dimension 600 × 570 x (820 - 870)

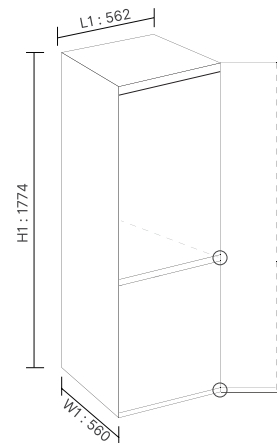
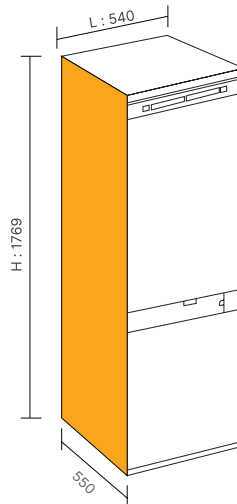
Power Input 1900 W

Energy Consumption 0.92 kWh/ Cycle

Water Consumption 12 L

Ultra AeroDry
15 Place Settings
5 Programs
3 Spray Arms
3 Layers of Basket
Electric Button Control

LED Display
1 - 19 h Delay Start
Half Load Function
Salt & Rinse Aid Indicator
Interior Light
Buzzer



RF 2927 ^{WAM}

Built-in Refrigerator
540 × 550 × 1769 mm
Pearl White

Cut-Out Dimension 562 × 560 × 1774 mm

Defrost Power 180 W

Refrigerator Temperature 0 °C - 10 °C

Freezer Temperature -18 °C

Total Capacity 254 L
Refrigerator Capacity 177 L
Total No Frost
Smart Digital Control
Multiflow Cooling System
Transparent Glass Shelf

Door Alarm
LED Light
Fresh Keeper
Hettich™ Hinge



Interested in learning more about our product range?

Visit our website

www.modena.com

The best place for your home and living solutions.
We are experts in cooking, cleaning, cooling, and beyond,
as we are passionate about creating products that can make your life better and easier.



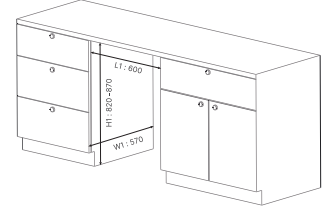
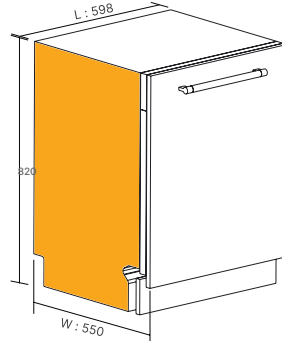
هل أنت مهتم بمعرفة المزيد عن مجموعة منتجاتنا؟

قم بزيارة موقعنا الإلكتروني

www.modena.com

أفضل مكان لشراء مستلزمات منزلك ومعيشتك.
لدينا فريق من الخبراء في الطهي والتنظيف والتبريد وغير ذلك، لأننا
متحمسون لصنع منتجات يمكن أن تجعل حياتك أفضل وأسهل

ثلاجة وغسالة أطباق



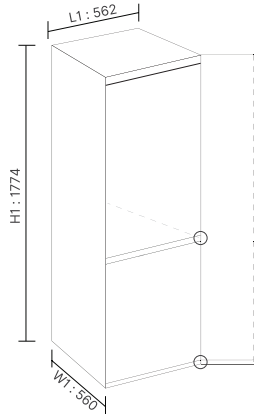
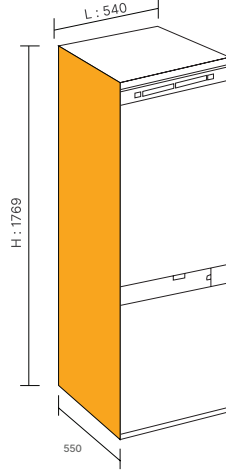
WP 9153 WVM

غسالة صحون مدمجة
820 × 550 × 598 مم
أبيض لؤلؤي

أبعاد القطع 820-870 × 570 × 600 مم
مدخلات الطاقة: 1900 واط
استهلاك الطاقة: 0.92 كيلو واط ساعة / دورة
استهلاك المياه: 12 لتر

Aeroغسالة فائقة التجفيف
15 وضعية مختلفة
5 برنامج
3 رشاشات
سلة من 3 طبقات
زر التحكم الكهربائي

شاشة LED
1-19 ساعة تأخير البدء
وظيفة تشغيل نصف
مؤشر مساعد للملح والشطف
الضوء الداخلي
الجرس



RF 2927 WAM

ثلاجة مدمجة
1770 × 550 × 540 مم
أبيض لؤلؤي

أبعاد القطع 1774 × 560 × 562 مم
الطاقة المستهلكة لفك التجميد: 180 واط
درجة حرارة الثلاجة 0 درجة مئوية - 10 درجة مئوية
درجة حرارة الثلاجة -18 درجة مئوية

جهاز إنذار الباب
ضوء LED
درج الحفاظ على المأكولات
Hettich™ Hinge

السعة الكلية 254 لتر
سعة الثلاجة 177 لتر
توتال نو فروست
لوحة تحكم إلكترونية
نظام تبريد متعدد التدفق
رف زجاجي شفاف

ثلاجة وغسالة أطباق

MODENA

Total - N

MODENA

MODENA







MG 2517 WAM

زجاج وفولاذ مقاوم للصدأ
388 × 401 × 595 مم
أبيض لؤلؤي + الفولاذ المقاوم للصدأ اللامع

فرن كهربائي

أبعاد القطع 366 × 500 × 560 مم

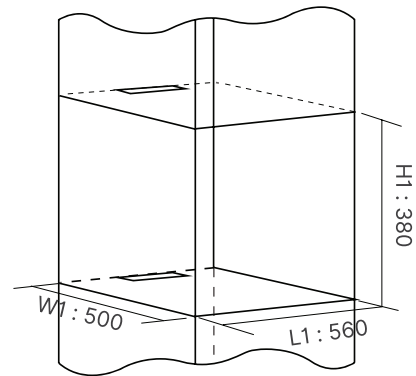
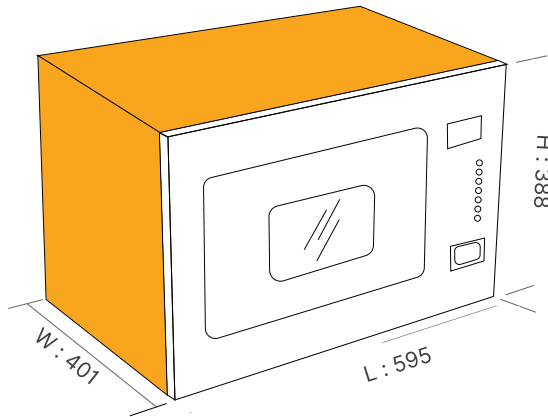
السعة: 25 لتر

مدخل حراري (ميكرويف) يقدر بـ 1450 واط

مخرج حراري (ميكرويف) يقدر بـ 900 واط

جهاز توقيت للمطبخ
إشارة انتهاء الطهي
قفل سلامة الأطفال

ميكروويف + شواية
ميكروويف + شواية
صحن دوار زجاجي 315 مم
8 قوائم أوتوماتيكية
تسخين الطعام حسب الوزن / الوقت





BO 9130 SAM

الفولاذ المقاوم للصدأ
475 × 568 × 895 مم
الفولاذ المقاوم للصدأ اللامع

فرن كهربائي

أبعاد القطع 472 × 550 × 860 مم

السعة: 110 لتر

سخان كهربائي سفلي بقطر 1300 واط

سخان كهربائي خلفي 2800 واط

شواية كهربائية بقطر 1050 + 2000 واط

9 برامج متعددة الوظائف

مروحة حمل حراري

باب زجاجي ثلاثي الطبقات

رف جانبي

المشواة

جهاز توقيت رقمي

مقبض + زر نظام التحكم

منظم حراره قابل للتعديل

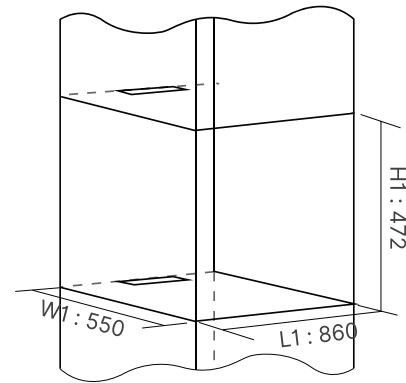
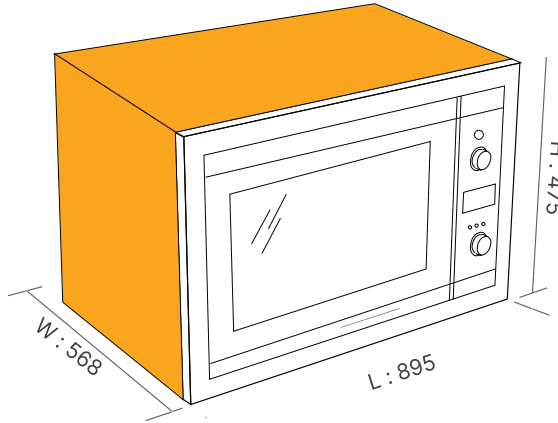
تقنية تبريد فائقة التدفق

مصباح للفرن

1 رف فرن

1 صينية فرن

1 رف صغير





BO 2633

زجاج
595 × 610 × 595 مم

ماسي أسود

فرن كهربائي

أبعاد القطع 580 × 550 × 560 مم

السعة: 56 لتر

سخان كهربائي سفلي بقطر 1200 واط سخان كهربائي خلفي
2100 واط

شواية كهربائية بقطر 1000 + 1900 واط

منظم حراره قابل للتعديل

تقنية تبريد فائقة التدفق

مصباح للفرن

2 رف فرن

1 صينية فرن

1 مقبض للصينية

8 برامج متعددة الوظائف

مروحة حمل حراري

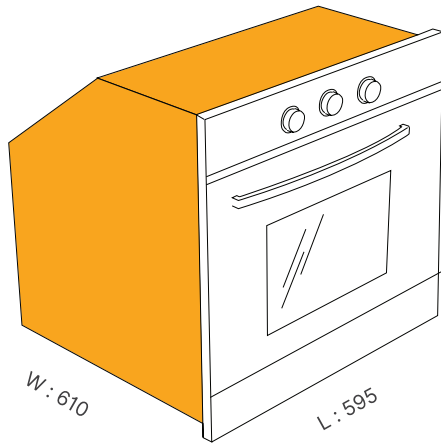
باب زجاجي ثلاثي الطبقات

رف جانبي

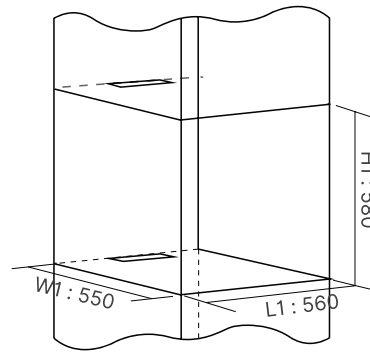
المشواة

مؤقت ميكانيكي

نظام تحكم بالمقبض



H : 595



H1 : 580

W1 : 550

L1 : 560



BO 4630

الزجاج وال فولاذ المقاوم للصدأ
595 × 610 × 595 مم

ماسي أسود + الفولاذ المقاوم للصدأ اللامع

فرن كهربائي

أبعاد القطع 580 × 550 × 560 مم

السعة: 67 لتر

سخان كهربائي سفلي بقطر 1200 واط

سخان كهربائي خلفي 2100 واط

شواية كهربائية بقطر 1000 + 1900 واط

منظم حراره قابل للتعديل

تقنية تبريد فائقة التدفق

مصباح للفرن

2 رف فرن

1 صينية فرن + صينية فرن بخار

1 مقبض للصينية

8 برامج متعددة الوظائف

مروحة حمل حراري

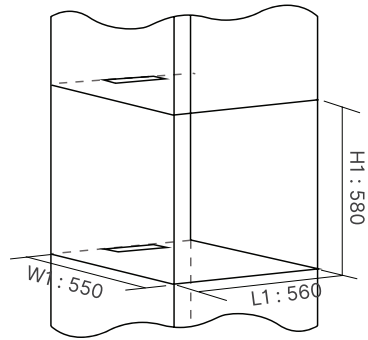
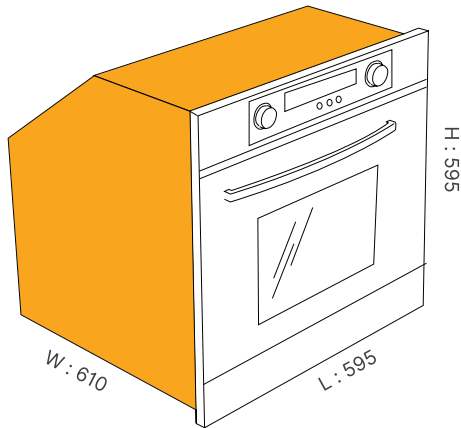
باب زجاجي ثلاثي الطبقات

رف جانبي

المشواة

جهاز توقيت رقمي

مقبض + زر نظام التحكم





BO 6633

زجاج
595 × 610 × 595 مم
ماسي أسود

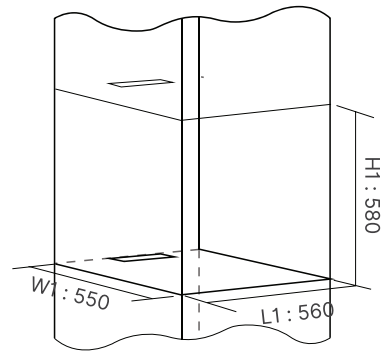
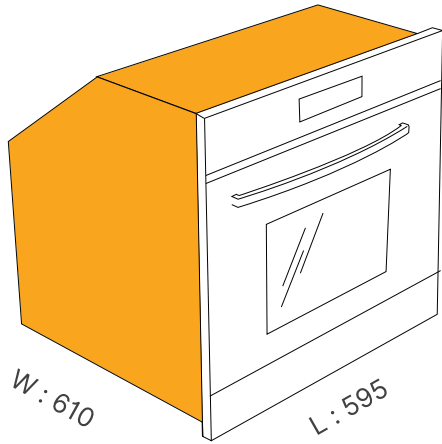
فرن كهربائي

أبعاد القطع 580 × 550 × 560 مم

السعة: 67 لتر
سخان كهربائي سفلي بقطر 1200 واط
سخان كهربائي خلفي 2100 واط
شواية كهربائية بقطر 1000 + 1900 واط

تقنية تبريد فائقة التدفقمصباح للفرن
باب سلس الإغلاق
2 رف فرن
1 صينية فرن
1 مقبض للصينية
صينية فرن بخاري

11 برامج متعددة الوظائف
مروحة حمل حراري
باب زجاجي ثلاثي الطبقات
رف جانبي المشواة
جهاز توقيت رقمي
تحكم كامل باللمس
منظم حراره قابل للتعديل





BO 7838

زجاج
595 × 610 × 595 مم
ماسي أسود

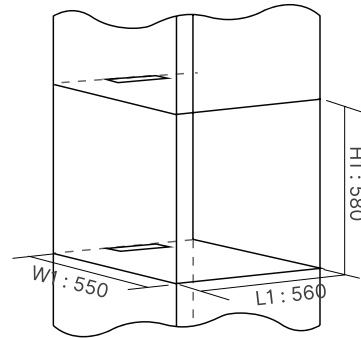
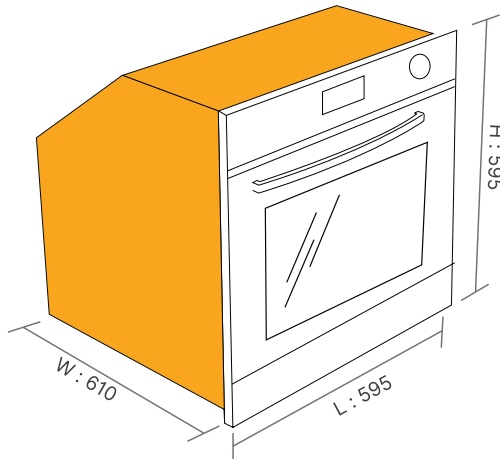
فرن كهربائي

أبعاد القطع 580 × 550 × 560 مم

السعة: 80 لتر
سخان كهربائي سفلي بقطر 1200 واط
سخان كهربائي خلفي 2100 واط
شواية كهربائية بقطر 1200 + 2400 واط

تقنية تبريد فائقة التدفق
مصباح للفرن
مقياس حرارة اللحم
1 رف فرن
1 صينية فرن
1 مقبض للصينية
1 رف صغير

16 برامج متعددة الوظائف
مروحة حمل حراري
باب زجاجي ثلاثي الطبقات
رف جانبي المشواة
جهاز توقيت رقمي
لوحة تحكم TFT + نظام مقبض كهربائي
منظم حراره قابل للتعديل



فرن

تقنية فرن متعددة الوظائف™

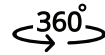
مجموعة رائعة من الأفران متعددة الوظائف،
كل نوع مجهزة بأحدث ابتكارات
تكنولوجيا الطهي، مما يضيف
مظهرًا بسيطًا وأنيقًا على مطبخك،
حتى في أصغر المساحات.



برامج
الطهي الأوتوماتيكي



360 درجة
حرارة الدوران



تقنية
الترشيح فائق التدفق



وظيفة
البخار



فرن



دوران حراري 360 درجة

نظام التسخين بالنار بالحمل الحراري والذي يمكن برمجته وضبطه في الأعلى والأسفل، للحصول على أداء أمثل للفرن.



تقنية التدفق الفائق "ألترافلو"

لمنع وصول الحرارة إلى الأسطح الخارجية للفرن، وذلك من خلال التشغيل التلقائي لنظام التبريد عند تشغيل الفرن.



باب زجاجي ثلاثي

يضمن باب الفرن المزود بثلاثة طبقات من الزجاج المتين أن السطح الخارجي للباب يبقى باردًا.



مؤقت

مزود بمؤقت لمدة 60 دقيقة لضبط التبيهات يدويًا أثناء الطهي.



نظام التحكم بلوحة TFT رقيق ترانزستور

لوحة تحكم جديدة لتنفيذ عمليات سريعة وسهلة.

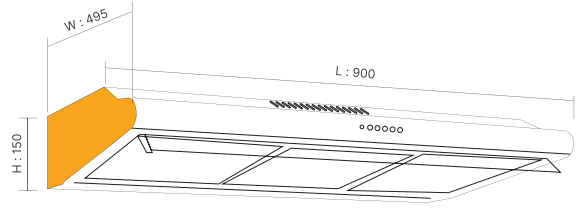


الأفران والميكروويف



MODENA





SX 9502 V

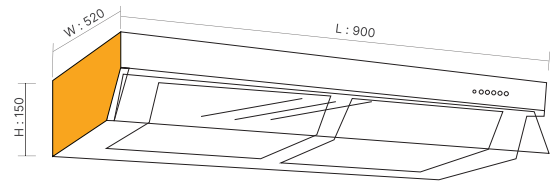
جسم معدني
150 × 495 × 900 مم
الفولاذ المقاوم للصدأ اللامع

من النوع التحيف

قطر المحرك 2 × 125 واط
قطر المصباح 2 × 40 واط

تقنية جرمينيتور (مؤين)
3 مستويات سرعة
نظام تحكم بالضغط على زر قوة
شفط مثالية 520 م / 3 ساعة

فلتر شريط ألومنيوم
فلتر من الكربون
فلتر فيتامين سي
منفذ قطر 120 مم



SX 9002 S

جسم معدني
150 × 520 × 900 مم
رمادي اللون غير قابل للصدأ

من النوع التحيف

قطر المحرك 2 × 125 واط
قطر المصباح 2 × 40 واط

تقنية جرمينيتور (مؤين)
3 مستويات سرعة
نظام تحكم بالضغط على زر
قوة شفط مثالية 520 م / 3 ساعة فلتر

شريط ألومنيوم
فلتر من الكربون
فلتر فيتامين سي
منفذ قطر 120 مم



SX 6001 S

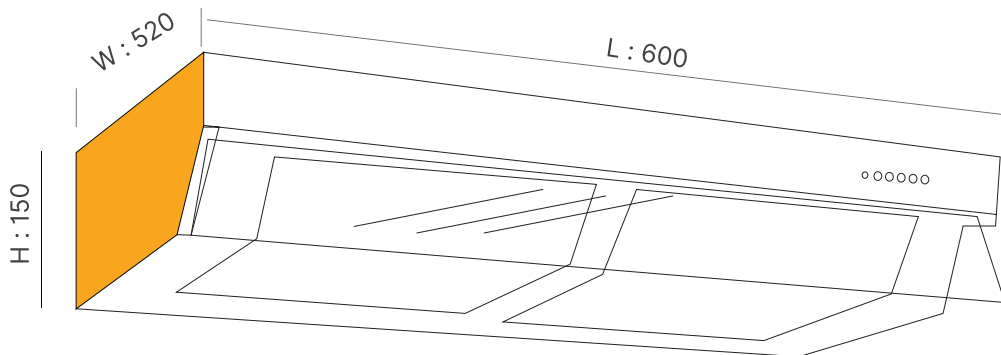
جسم معدني
600 × 520 × 150 مم
رمادي اللون غير قابل للصدأ

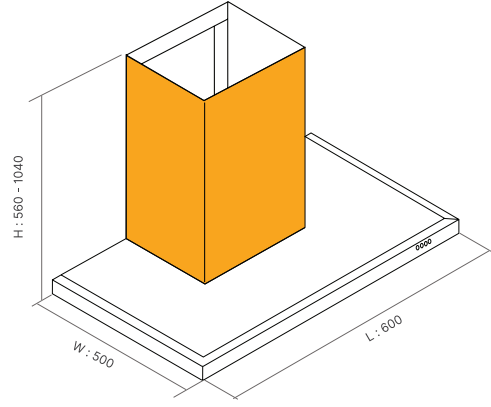
من النوع النحيف

قطر المحرك 2 × 125 واط
قطر المصباح 1 × 40 واط

3 مستويات سرعة
نظام تحكم بالضغط على زر
قوة شفط مثالية 400 م³ / 3 ساعة
فلتر شريط ألومنيوم

فلتر من الكربون
فلتر فيتامين سي
منفذ قطر 120 مم
تقنية جرمينيتور (مؤين)





CX 6150

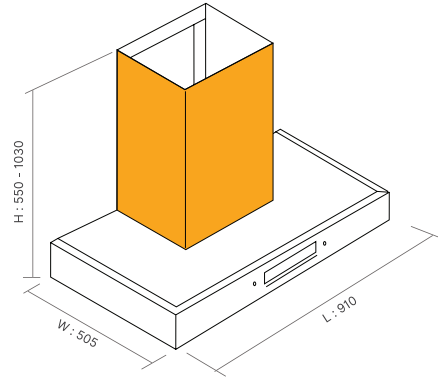
الفولاذ المقاوم للصدأ
500 × 500 × 1040 - 1040 مم
الفولاذ المقاوم للصدأ اللامع

ثُرْكَب في الجدار

1 محرك تريبو 200 واط
قطر مصباح ليد 2 × 0.5 واط

مجّع الزيت
2 مدخّات الفولاذ المقاوم للصدأ
خرطوم إضافي قابل للمد
منفذ قطر 150 مم

تقنية جرمينيتور (مؤين)
3 مستويات سرعة
نظام تحكم بالضغط على زر
قوة شفط مثالية 900 م 3 / ساعة فلتر شريط
ألومنيوم
فلتر فيتامين سي
فلتر من الكربون



CX 9150

الفولاذ المقاوم للصدأ
500 × 500 × 1040 - 1040 مم
الفولاذ المقاوم للصدأ اللامع

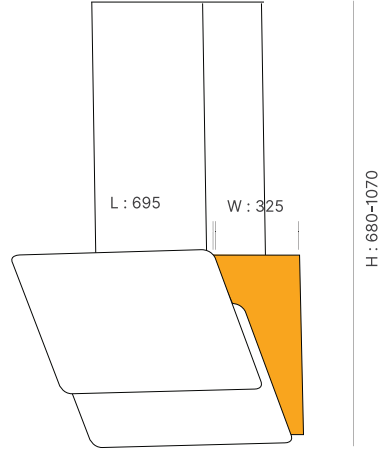
ثُرْكَب في الجدار

1 محرك تريبو 200 واط
قطر مصباح ليد 2 × 0.5 واط

مجّع الزيت
2 مدخّات الفولاذ المقاوم للصدأ
خرطوم إضافي قابل للمد
منفذ قطر 150 مم
فلتر من الكربون

تقنية جرمينيتور (مؤين)
3 مستويات سرعة
نظام تحكم بالضغط على زر
قوة شفط مثالية 900 م 3 / ساعة فلتر شريط
ألومنيوم
فلتر فيتامين سي

شفاطات



CX 7712 L

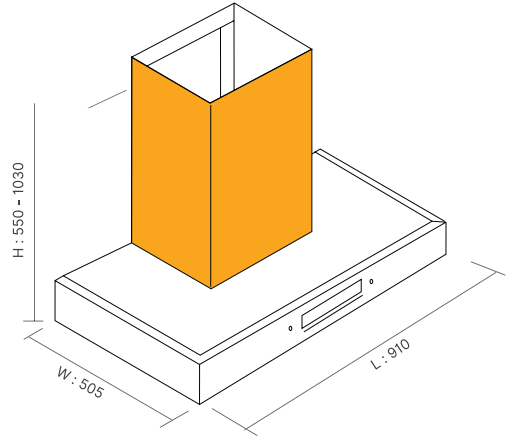
مادة الفولاذ المجلفن مع الزجاج الصلب
695 × 325 × 680 - 1070 مم
ماسي أسود

تُرْكَب في الجدار

قطر محرك توربو 1 × 130 واط
قطر مصباح ليد 2 × 1 واط

2 مدختان باللون الأسود
خرطوم إضافي قابل للمد
منفذ بقطر 150 مم

3 مستويات سرعة
نظام تحكم بالضغط على زر
قوة شفط مثالية 700 م / 3 ساعة
فلتر قرص ألومنيوم
فلتر كربوني



CX 9156

الفولاذ المقاوم للصدأ
910 × 505 × 550 - 1030 مم
ماسي أسود

تُرْكَب في الجدار

قطر محرك توربو 1 × 300 واط
قطر مصباح ليد 2 × 2 واط

فلتر فيتامين سي
فلتر كربوني
مجقع الزيت
2 مدختان باللون الأسود
خرطوم إضافي قابل للمد
منفذ بقطر 150 مم

تقنية جرميناتور (مؤين)
نظام الشفط المركزي
تذكير بالتنظيف
مستشعر الحرارة
شاشة LCD
لوحة التحكم باللمس
3 مستويات سرعة + تربو
فلتر شريط ألومنيوم

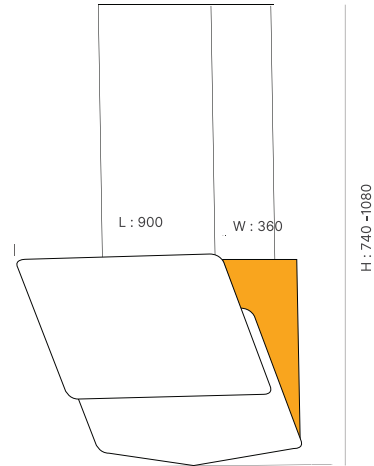


شفاط هواء 360 درجة - CX 6761

زجاج صلب
600 × 360 × 740 - 1080 مم
حاسي أسود
شفاطات مبتكرة جديدة - مركبة بالجدار
قطر محرك توربو 1 × 250 واط
قطر مصباح ليد 2 × 0.5 واط

فلتر من الألمنيوم
فلتر كربوني
2 قطع للمدخنة
خرطوم إضافي قابل للتمد
منفذ بقطر 150 مم

عازل الحرارة
نظام العادم المزدوج
3 مستويات سرعة
لوحة التحكم باللمس
نظام التحكم عن طريق الإيماءات
قوة شفط مثالية 750 م³ / 3 ساعة



شفاط هواء 360 درجة - CX 9761

زجاج صلب
900 × 360 × 740 - 1080 مم
حاسي أسود
شفاطات مبتكرة جديدة - مركبة بالجدار
قطر محرك توربو 1 × 250 واط
قطر مصباح ليد 2 × 0.5 واط

فلتر من الألمنيوم
فلتر كربوني
2 قطع للمدخنة
خرطوم إضافي قابل للتمد
منفذ بقطر 150 مم

عازل الحرارة
نظام العادم المزدوج
3 مستويات سرعة
لوحة التحكم باللمس
نظام التحكم عن طريق الإيماءات
قوة شفط مثالية 750 م³ / 3 ساعة

تكنولوجيا الشفط العازل للحرارة™

استمتعي بتجربة طهي ممتعة
مع تقنية شفط المطبخ المبتكرة،
تعمل عن طريق امتصاص الهواء الساخن والبخار
أثناء الطهي واستبداله بهواء بارد ونقي.



تذكير
آلي



نظام
جرميناتور



فلتر فيتامين
سي



فلتر الكربون
النشط



لمبة ليد

إضاءة هادئة وموفرة للطاقة
للحصول على أفضل إضاءة للمطبخ.



فلتر مشبع بفيتامين سي

فلتر مكون من مواد خاصة
مشبعة بفيتامين سي، لتوفير
هواء نقي ونظيف في المطبخ.



فلتر الكربون المنشط

يحتوي الفلتر على جزيئات الكربون المنشط
التي تمتص الدخان
وتقضي على الروائح الكريهة.



نظام العادم وإعادة التدوير

نظام مزدوج يمكن ضبطه حسب
طريقة تركيب مطبخك،
باستخدام إما نظام العادم أو نظام إعادة التدوير.





علبة الفلتر الألمنيوم

يتكون نظام فلتر الشحوم هذا من خمس طبقات من الألمنيوم من أجل عملية ترشيح أمثل وتوفير هواء نقي.



نظام التحكم باللمس

قم بإعداد شفاطك وتشغيله بسهولة من خلال نظام التحكم باللمس هذا، واستمتع بمطبخ عصري وانسيابي.



نظام الشفط

نظام بتصميم أكثر تركيزاً على شفط الهواء من أجل تهوية أسرع، والحفاظ على المطبخ نظيفاً وخالياً من الدخان أثناء الطهي.



نظام تنقية الهواء

يطلق الأيونات النشطة للقضاء بفعالية على الجراثيم والبكتيريا وتنقية الهواء الملوث.

MODENA

MODENA

شفاطات

MODENA





MODENA







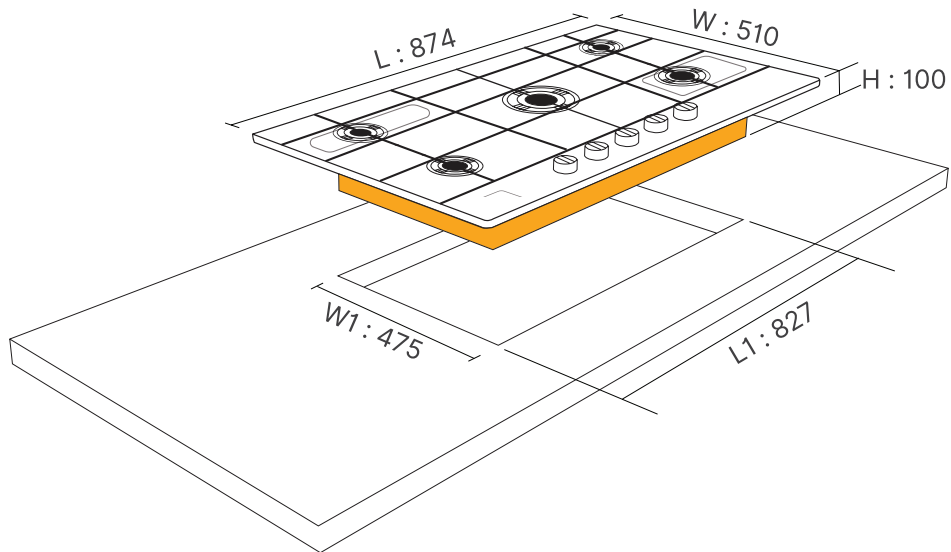
BH 2958 LBM

غاز بـ 5 مواقد
نظام غاز صديق للبيئة
تقنية سلامة الغاز
الإشعال بيد واحدة
شبكة من الحديد الصلب
فوهة إضافية للغاز الطبيعي

زجاج نيبولا مقوي
100 × 510 × 874 مم
ماسي أسود

أبعاد القطع 475 × 827 مم

موقد بقطر 3 حلقات 3400 واط × 1
قطر الموقد الكبير 2400 واط × 1
موقد متوسط قطره 1880 واط × 2
موقد صغير بقطر 900 واط × 1





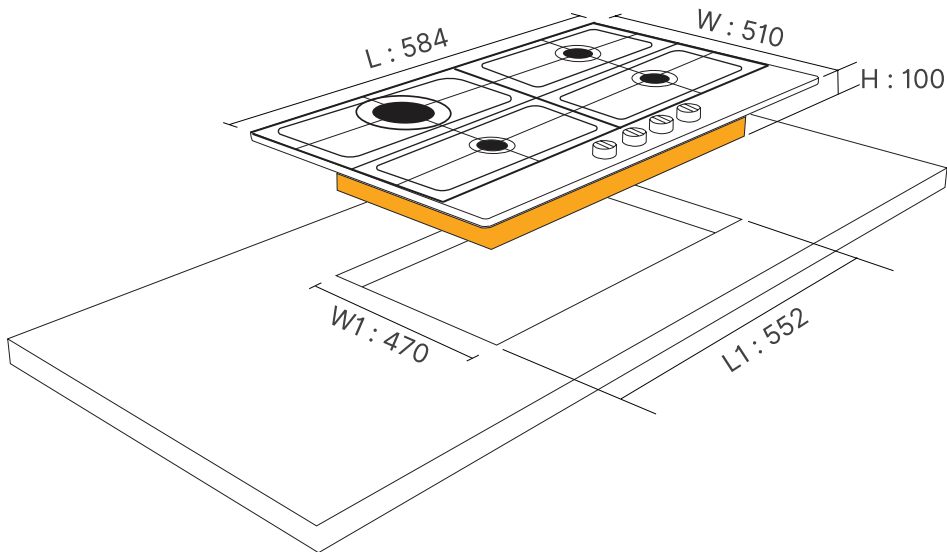
BH 2648 LBM

غاز بـ 4 موقد
نظام غاز صديق للبيئة
تقنية سلامة الغاز
الإشعال بيد واحدة
شبكة من الحديد الصلب
فوهة إضافية للغاز الطبيعي

زجاج نيولا مقوي
100 × 510 × 584 مم
ماسي أسود

أبعاد القطع 470 × 552 مم

موقد بقطر 3 حلقات 3400 واط × 1
موقد متوسط قطره 1880 واط × 2
موقد صغير بقطر 900 واط × 1





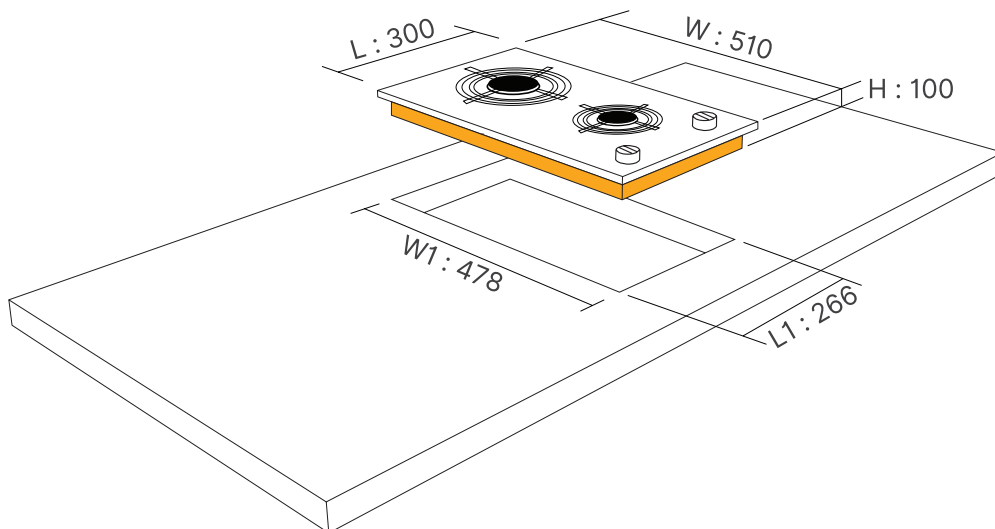
BH 1325

زجاج نيبولا مقوي
300 x 510 x 100 مم
ماسي أسود

أبعاد القطع 478 x 266 مم

موقد بقطر 3 حلقات 3400 واط × 1
موقد متوسط قطره 1880 واط × 2

غاز بـ 2 مواقد
نظام غاز صديق للبيئة
تقنية سلامة الغاز
الإشعال بيد واحدة
شبكة من الحديد الصلب
فوهة إضافية للغاز الطبيعي





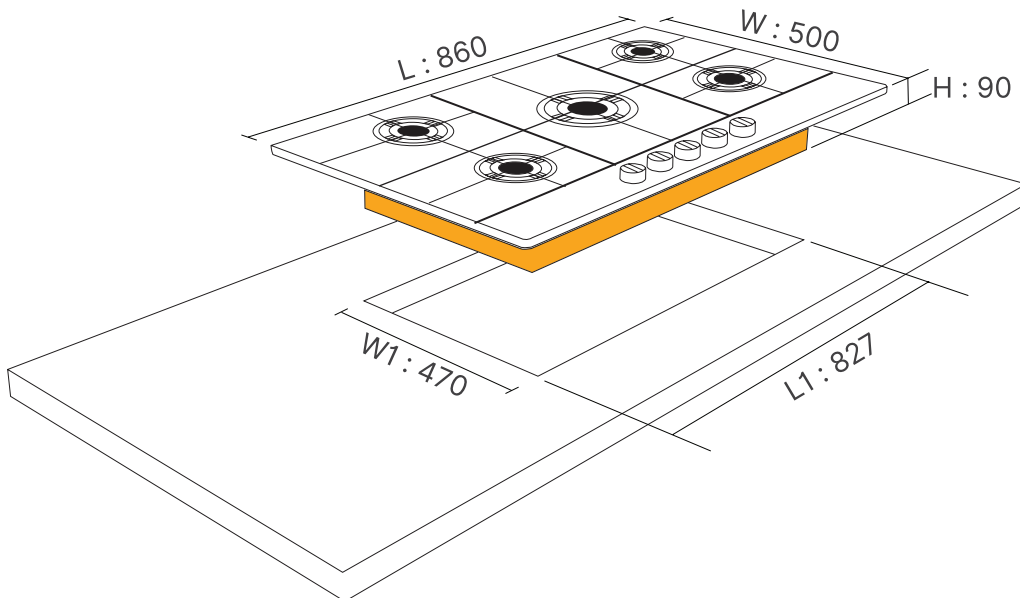
BH 3958 SAM

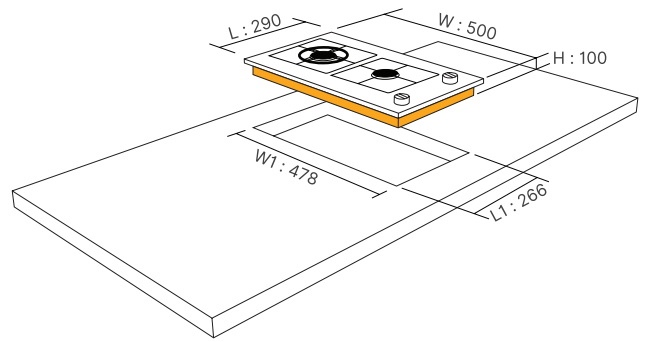
لوحة من الفولاذ المقاوم للصدأ
90 × 500 × 860 مم
الفولاذ المقاوم للصدأ اللامع

أبعاد القطع 470 × 827 مم

- موقد بقطر 3 حلقات 3400 واط × 1
- قطر الموقد الكبير 2400 واط × 1
- موقد متوسط قطره 1880 واط × 2
- موقد صغير بقطر 900 واط × 1

غاز بـ 5 مواقد
نظام غاز صديق للبيئة
تقنية سلامة الغاز
الإشعال بيد واحدة
شبكة من الحديد الصلب
فوهة إضافية للغاز الطبيعي





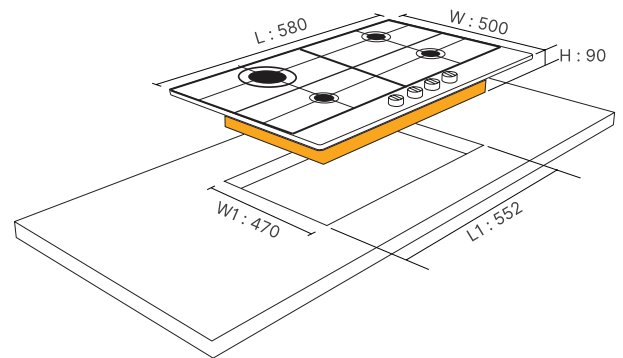
BH 3324

غاز بـ 2 موقد
نظام غاز صديق للبيئة
تقنية سلامة الغاز
الإشعال بيد واحدة
شبكة من الحديد الصلب
فوهة إضافية للغاز الطبيعي

لوحة من الفولاذ المقاوم للصدأ
95 × 500 × 290 مم
الفولاذ المقاوم للصدأ اللامع

100 × 500 × 290 مم

موقد بقطر 3 حلقات 3400 واط × 1
موقد متوسط قطره 1880 واط × 2



BH 3649^{STM}

غاز بـ 4 موقد
نظام غاز صديق للبيئة
تقنية سلامة الغاز
الإشعال بيد واحدة
شبكة من الحديد الصلب
فوهة إضافية للغاز الطبيعي

لوحة من الفولاذ المقاوم للصدأ
90 × 500 × 580 مم
الفولاذ المقاوم للصدأ اللامع

90 × 500 × 580 مم

موقد بقطر 3 حلقات 3400 واط × 1
موقد متوسط قطره 1880 واط × 2
موقد صغير بقطر 900 واط × 1



BE 1325

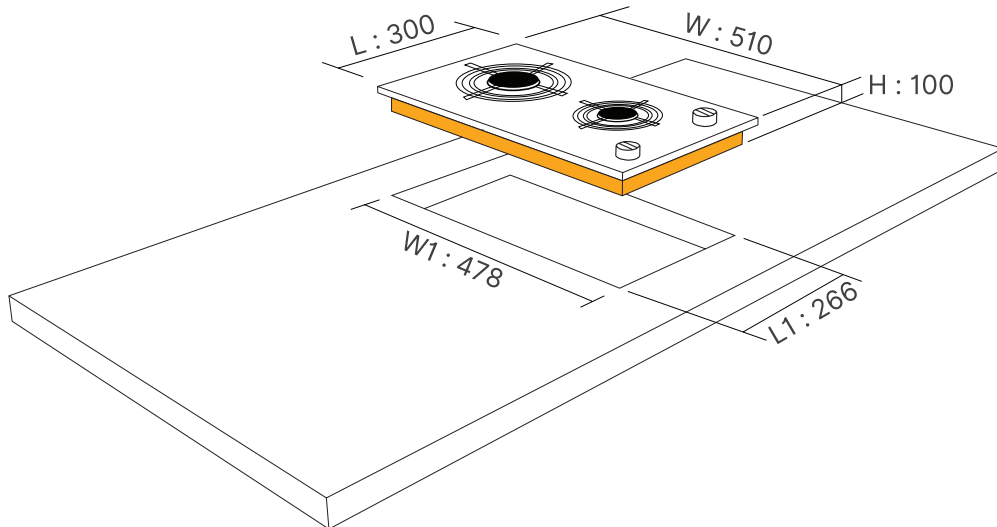
2 صفائح تسخين
التحكم الميكانيكي
6 مستويات للطاقة
مؤشر الحرارة المتبقية

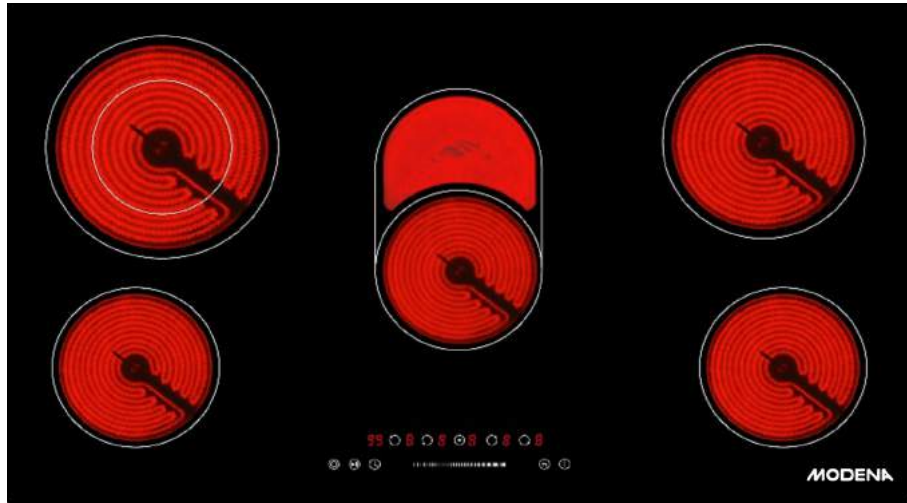
زجاج نيبولا مقوي
90 × 510 × 300 مم
ماسي أسود
90 × 500 × 580 مم
الفولاذ المقاوم للصدأ اللامع

أبعاد القطع 268 × 480 مم

قطر 180 مم 2000 واط × 1

قطر 110 مم 600 واط × 1





BC 0955 LAM

5 منطقتي طهي
9 درجات لطهي الطعام
. لوحة التحكم باللمس
تكنولوجيا الأشعة تحت الحمراء
توقف تلقائي

جهاز توقيت رقمي
نظام تبريد مدمج
مؤشر الحرارة المتبقية
قفل سلامة الأطفال

زجاج نيبولا سيراميكي
51 × 520 × 900 مم
ماسي أسود

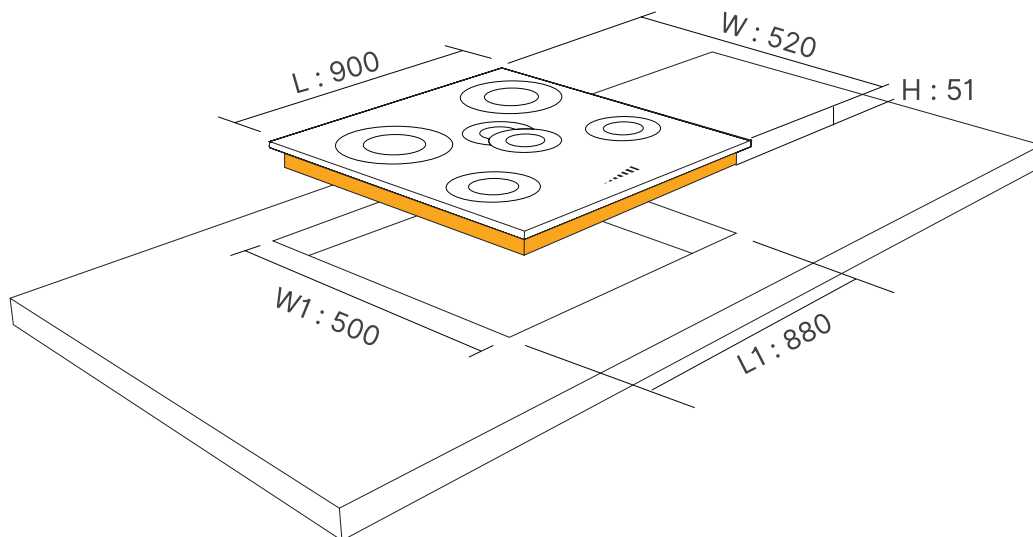
أبعاد القطع 500 × 880 مم

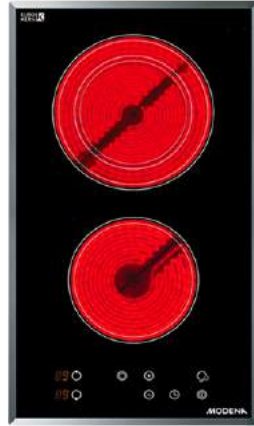
قطر 165 مم 1200 واط × 2

قطر 200 مم 1800 واط × 1

قطر 165-270 مم 1100/2200 واط × 1

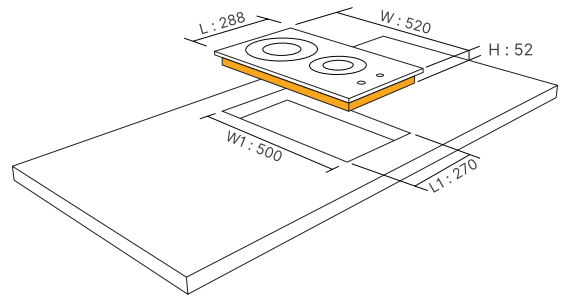
قطر 138-230 مم 1100/2200 واط × 1





2 منطقة حرة + 1 منطقة
9 درجات لطهي الطعام
نظام تحكم باللمس الانزلاقي
تقنية الطهي بالحث الحراري
تحكم معزز

توقف تلقائي
توقف تلقائي
نظام تبريد مدمج
مؤشر الحرارة المتبقية
قفل سلامة الأطفال



BC 1321 L

زجاج يورو كيرا مشطوف الحافة

قطر 52 × 520 × 288 مم

ماسي أسود

أبعاد القطع 500 × 270 مم

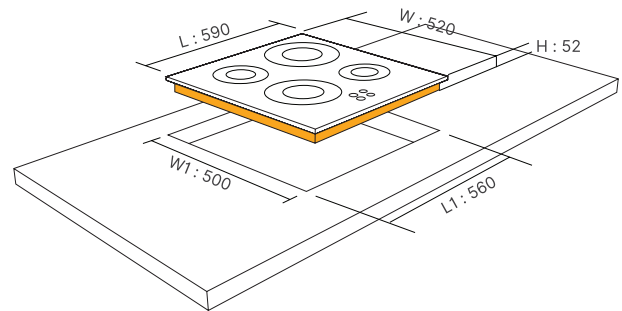
قطر 165 مم 1200 واط × 1

قطر 120-200 مم 1000/2000 واط × 1



2 منطقة حرة + 1 منطقة
9 درجات لطهي الطعام
نظام تحكم باللمس الانزلاقي
تقنية الطهي بالحث الحراري
تحكم معزز

توقف تلقائي
توقف تلقائي
نظام تبريد مدمج
مؤشر الحرارة المتبقية
قفل سلامة الأطفال



BC 1640 LAM

زجاج يورو كيرا مشطوف الحافة

قطر 52 × 520 × 590 مم

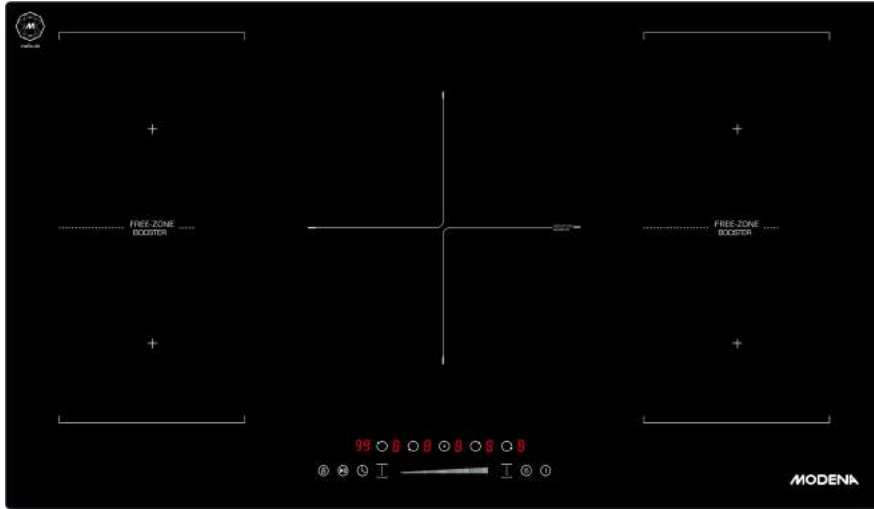
ماسي أسود

أبعاد القطع 500 × 560 مم

قطر 165 مم 1200 واط × 2

قطر 200 مم 1800 واط × 1

قطر 138-230 مم 1100/2200 واط × 1



BI 0935 FAM

زجاج نيبولا سيراميكي
56 × 520 × 900 مم
ماسي أسود

أبعاد القطع 500 × 880 مم

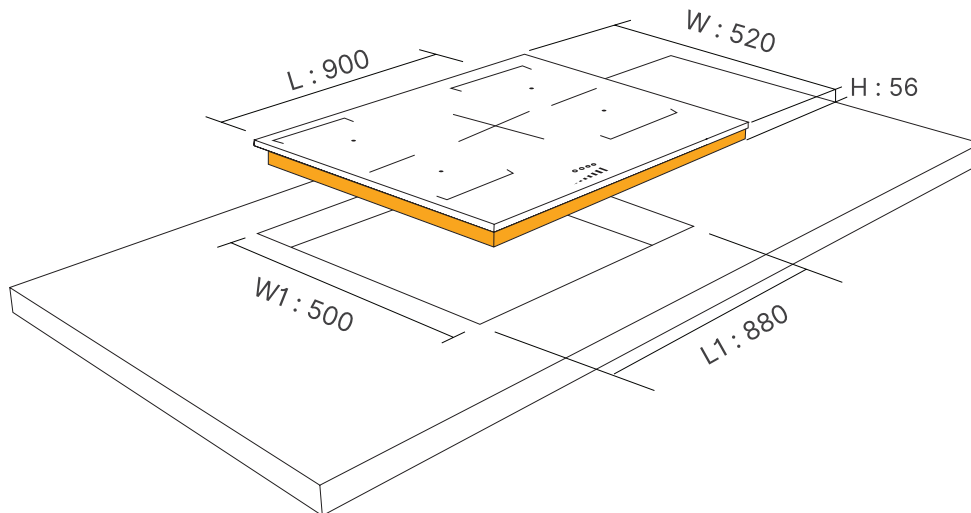
قطر 190 مم 2000 واط (2600 واط مع الداعم) × 2

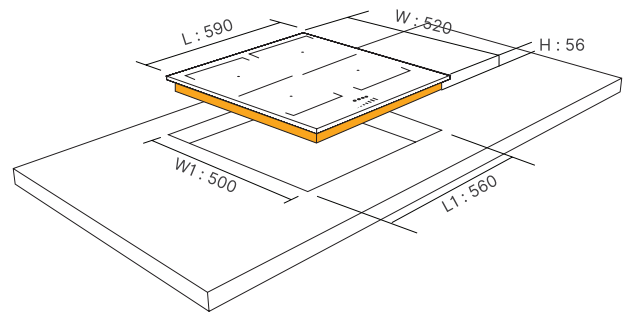
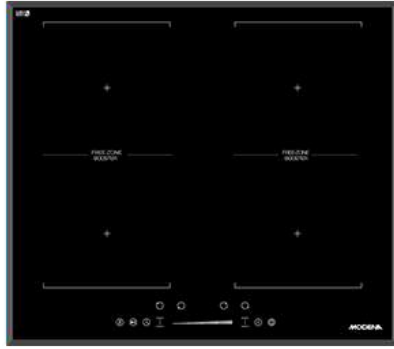
قطر 190 مم 1500 واط (2000 واط مع الداعم) × 2

قطر 280 مم 2300 واط (3000 واط مع الداعم) × 1

2 منطقة حرة + 1 منطقة
9 درجات لطهي الطعام
نظام تحكم باللمس الانزلاقي
تقنية الطهي بالحث الحراري
تحكم معزز

توقف تلقائي
توقف تلقائي
نظام تبريد مدمج
مؤشر الحرارة المتبقية
قفل سلامة الأطفال





BI 1625 F

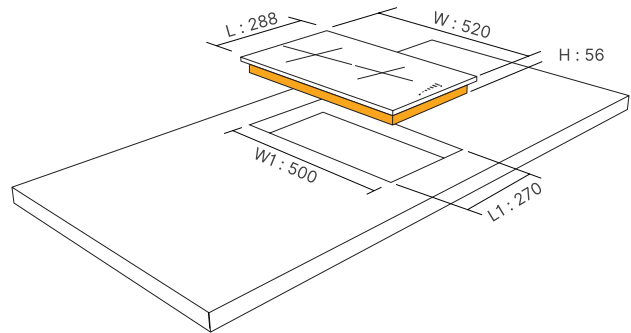
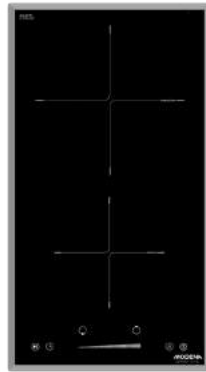
زجاج يورو كيرا مشطوف الحافة
ماسي أسود

أبعاد القطع 500 × 560 مم

قطر 190 مم 2000 واط (مع الداعم) 2 ×
قطر 190 مم 1500 واط (مع الداعم) 2 ×
200 × 400 مم المنطقة الحرة 3000 واط (مع الداعم) 2 ×

منطقة حرة + 1 منطقة
9 درجات لطهي الطعام
نظام تحكم باللمس الانزلاقي
تقنية الطهي بالحث الحراري
تحكم معزز

توقف تلقائي
توقف تلقائي
نظام تبريد مدمج
مؤشر الحرارة المتبقية
قفل سلامة الأطفال



BI 1325

زجاج سكوت مع حافة مشطوفة
ماسي أسود

أبعاد القطع 500 × 270 مم

قطر 210 مم 2000 واط 1 ×
قطر 160 مم 1500 واط 1 ×

منطقة حرة + 1 منطقة
9 درجات لطهي الطعام
نظام تحكم باللمس الانزلاقي
تقنية الطهي بالحث الحراري
تحكم معزز

توقف تلقائي
توقف تلقائي
نظام تبريد مدمج
مؤشر الحرارة المتبقية
قفل سلامة الأطفال

موقد

نقدم لكم موقد زجاجي من نيبولا

أنيق ومصمم ليدوم طويلاً، موقد مطبخنا
مصنوع من أقوى مادة في تاريخنا الطويل من
إنتاج أدوات المطبخ.



لوحة التحكم
باللمس



تقنية الطهي بالحث
الحراري



التوقف
التلقائي



جهاز توقيت
رقمي



تقنية سلامة الغاز

تضمن سلامة الموقد حيث يقوم مستشعر الحرارة بفلق الغاز على الفور بمجرد انطفاء اللهب.



شعلة بسبيكة معدنية متطورة

تمت معالجتها بالظهر الحراري المتساوي على درجة حرارة 850 مئوية مما يزيد من متانتها وصلابتها، ويمنحها حملاً حرارياً أعلى وأسرع.



إشعال بيد واحدة

ولاعة مدمجة بالمقبض تسهل تشغيل الموقد.



تقنية المنطقة الحرة

مزيد من المرونة من خلال دمج منطقة الطهي في مساحة واحدة كبيرة لوضع أواني الطهي



اللمسة الاحترافية

تضي لوحة اللمس لمسة عصرية الانطباع على مظهر الموقد ويبسط العملية وعملية الإعداد.



MODENA

مواقف

MODENA

MODENA



المحتويات

- أجهزة مدمجة
- مواقد
- شفاطات
- فرن
- الميكروويف
- ثلاجة
- غسالة الأطباق







MODENA

نلتزم بتقديم منتجات طويلة الأمد.

يهمنا أن نخدمك منتجاتنا لسنوات قادمة وهذا ما يدفعنا إلى تصميم أجهزتنا المنزلية ومعدات المطبخ باحترافية مع مراعاة الديمومة والمصداقية. نحن نتمسك بالجمال الخالد واستخدام مواد ذات جودة عالية لصناعة منتجات يمكن نقلها إلى الأجيال القادمة. حتى بعد مرور السنوات، نعتقد أن منتجاتنا ستظل مناسبة ويمكن صيانتها بسهولة لتحسين دوامها.

حلول احترافية عملية ومذهلة لصناعة سريعة التطور

عرف مجال الطهي نموًا كبيرًا خلال السنوات الأخيرة، وبات العالم يتقدم بوتيرة سريعة بحيث أصبح الطهي يتماشى مع الفن. تم تصميم مجموعة مودينا بروفشونال MODENA الاحترافية بأعلى معايير الصناعة، حيث توفر القوة والدقة لتلبية احتياجات محترفي الطهي والمؤسسات التجارية في كل مكان



MODENA

الجمال يتطلب خبرة.

نتفهم بشكل تام أن التصميم
الجيد يكون مدروس.

ومن ثم، فإننا نستمد الإلهام باستمرار من جميع أنحاء
العالم ونعمل مع خبراء متنوعين لإضافة تلك
اللمسة الخاصة.

إن المنتجات التي نصنعها لا تبدو رائعة فحسب، بل إنها
ذات مضمون عظيم! وهذا ما يدفعنا للفخر.



وقتك من ذهب

بين صخب وضجيج الحياة العصرية،
من المهم أن تكافئ نفسك بلحظات من الراحة.
وهذا ما حفزنا على تجهيز جميع منتجاتنا بميزات مدمجة
مصممة لتوفر لك السلام والراحة المطلقة.
فمثلًا، إليك آلة الطبخ المحمولة الأكثر مبيعًا لدينا. يساعدك
وزنها الخفيف على حملها معك أينما تريد في مصممة
لمساعدتك على الطهي في أي زمان ومكان.



مستوحى من أداء أنشطتك اليومية.

نستلهم منكم منتجات جديدة ومثيرة. يمكنك
إيجاد أفضل المنتجات الخاصة بنا،
بما في ذلك مواقد نيبولا الزجاجية وأفران متعددة الوظائف
وشفاطات التعقيم والكثير غيرها -
رؤيتنا هي تقديم حياة أفضل وأكثر سهولة لك





1970s

توسيع النطاق و
بداية التصدير.

1960s

بداية مودينا في
إمبيليا رومانيا - إيطاليا.



2010s

زيادة نطاق المنتجات لتشمل
منتجات احترافية وموفرة للطاقة
وسهلة التنقل وأكثر.

1980s

مودينا تنقل
مقرها العالمي
إلى آسيا.

MODENA

رؤيتنا أن نصبح قوة دافعة نحو مستقبل مترابط هو ما يدفعنا هنا في مودينا.

كل يوم، نسعى جاهدين لجعل الحياة أسهل لجميع عملائنا من خلال
ابتكار منتجات متطورة يسهل تشغيلها.
بدعم من استوديو التصميم في إيطاليا، ومراكز البحث والتطوير ذات
المستوى العالمي،
ومرافق التصنيع في جميع أنحاء العالم،
لقد اكتسبنا ثقة العملاء في جميع أنحاء العالم كمزود
الحلول للمنزلية والمعيشية التي تشتهر بتطورها الجمالي
صقل، فضلا عن طول العمر والتكنولوجيا المبتكرة.

MODENA

MODENA

حقوق النشر © MODENA 2022. كل الحقوق محفوظة

MODENA



كتالوج الأجهزة المدمجة