

**MODENA**

# **User Manual Book**

Hood

CX 9761

# Contents

Part 1: Important Safety Information	3
Electrical Shock Hazards	4
Part 2: Name Of Parts	5
Part 3: Installation	6
Installation Precaution	7
Installation Diagram	8
Part 4: How To Use	9
Part 5: Maintenance	11
Cleaning The Cabinet	11
Cleaning The Filter	11
Aluminum Filter	11
Carbon Filter	12
Changing The Light Bulb	12
Part 6: Problem And Solution	13
Part 7: Precaution	15
Part 8: Specification	16

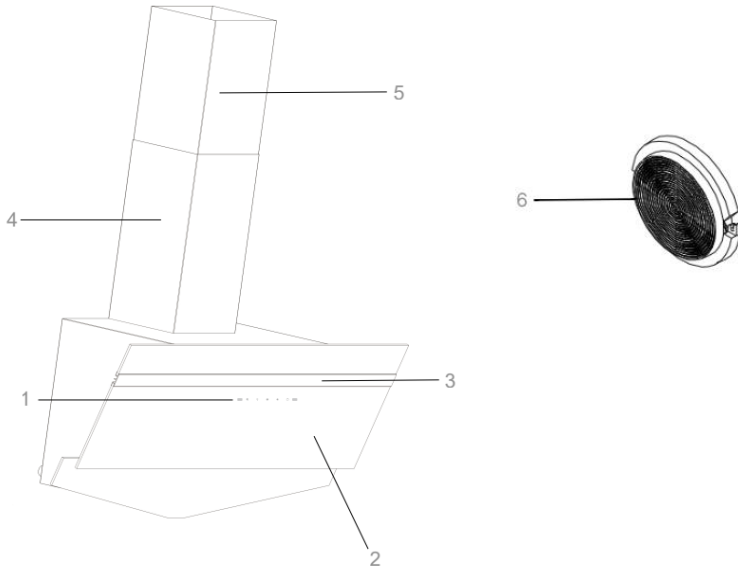
## **PART 1: IMPORTANT SAFETY INFORMATION**

- Do not allow children to operate the unit.
- This exhaust hood is designed for home use only, not suitable for the environmental condition, bake shop, barbecue, and other commercial purposes.
- The exhaust hood should be cleaned periodically so that its power is maintained.
- Clean the exhaust hood according to the instructions contained in this book and keeps it away from the danger of being burnt.
- No direct grilling on a gas stove.
- Keep your kitchen remains good circulation.
- Before connecting the unit to a power source, make sure the power cord is in good shape. If there is damage to the power cord, the replacement must be performed by qualified personnel or contact the MODENA Service Center for replacement process.
- The room should have good ventilation during the use of exhaust hood on gas stoves or other fuels.
- The exhaust hood waste pipe should be separated with an air-duct.
- Regulations regarding the air exhaust must be met.
- The unit is not intended to be used by persons (including children) with a physical, sensory, or mental disability, or lack of experience and knowledge unless they have been given supervision or instructions concerning the use of the appliance by the person who is responsible for their safety.
- Children should be supervised to ensure that they are not playing with the unit.
- Do not strike a fire under the sucker of the exhaust hood.
- The exhaust hood is not aimed to be installed on top of the stove that had more than four burners.

## Electrical Shock Hazards

- Connect the unit only to a grounded power socket correctly. If you are in doubt, ask advice from an experienced technician who is suitably qualified.
- The failure to follow these instructions may cause electric shock, fire, or other hazards that are fatal.

## PART 2: NAME OF PARTS



1. Control Panel
2. Glass
3. Stripe
4. Main chimney
5. Upper chimney
6. Charcoal filter

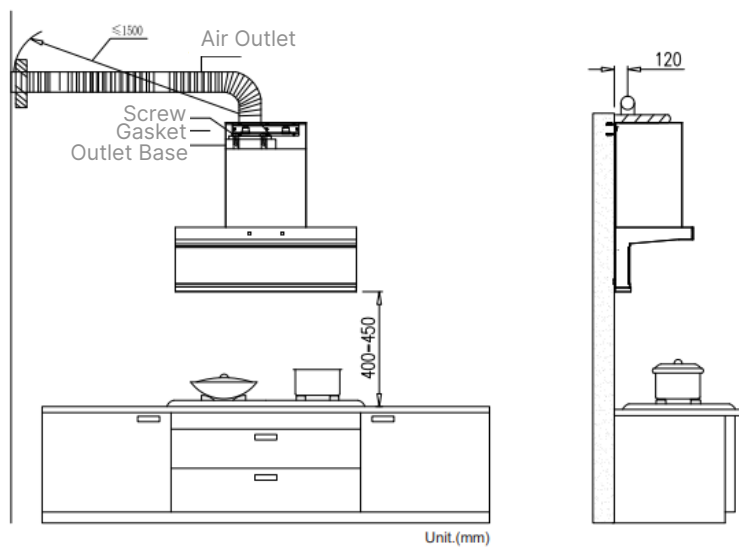
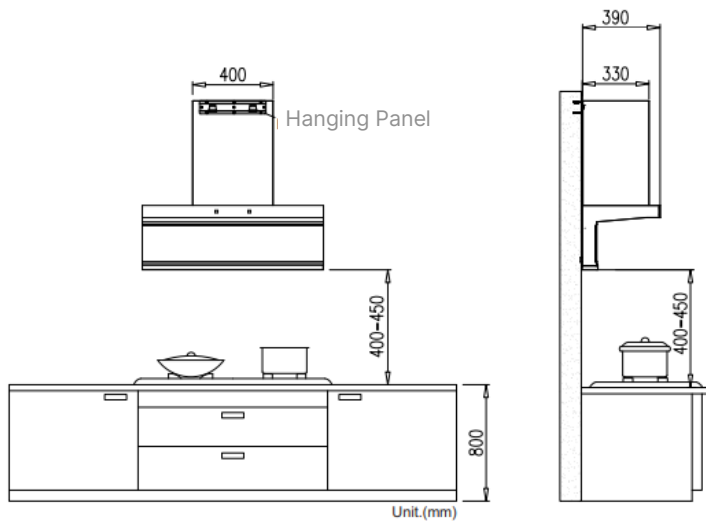
## **PART 3: INSTALLATION**

1. Determine the location: According to the product model, refer to the installation diagram, and mark the corresponding position on the wall. The installation position shown in the figure in installation diagram.
2. Install the hanging plate: in the horizontal position with the marked height, drill a hole with a diameter of  $\varnothing 10\text{mm}$  and a depth of about 50mm in the corresponding position on the wall according to the corresponding illustration or the hole position of the hanging plate provided with the plastic expansion tube Install it in the wall hole and fix the hanging plate on the wall with the fixing screws.
3. Install the air outlet component: install the air outlet component with the sponge pad in place, fasten it with the screws provided, check and ensure that the air outlet blades rotate flexibly (if installed, this step can be omitted)
4. Install the air outlet pipe: Insert one end of the air outlet pipe into the groove of the air outlet assembly, and fix the air outlet pipe to the air outlet with the two self-tapping screws provided.
5. Installation of the body: Align the hanging holes on the back of the body with the hanging buckles of the hanging plate, and check by shaking the body by hand to confirm that the body is installed horizontally and firmly. The expansion tube fixes the anti-fall pressure block (or anti-fall screw) on the top of the range hood; finally, lead the other end of the air outlet pipe to the outdoor or public flue.
6. Install the enclosure board: Remove the screws used to fix the enclosure board, align the installation holes of the enclosure board with the box, then replace the screws used to secure the enclosure board, and finally attach the enclosure board bracket with the screws provided Fixed on the fence (if installed, this step can be omitted).

## Installation Precaution

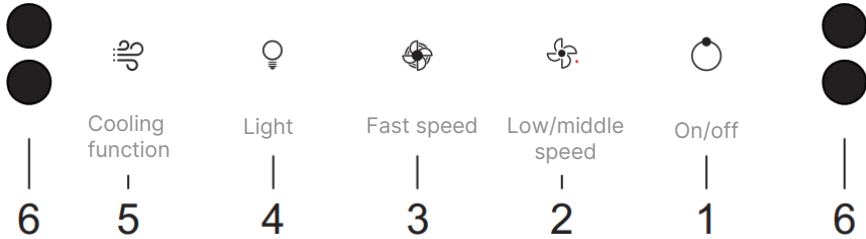
- Only professionally trained and qualified installers can install this range hood.
- If your kitchen is being decorated, then do not expose the cooker hood to avoid corrosion and tarnishing of the cooker hood surface.
- When handling and installing the range hood, please do not carry the glass and the front panel by hand, otherwise the glass may break or loosen.
- Do not install the range hood on the top of a solid fuel stove.
- When drilling holes in the wall, avoid the electric wires buried in the wall to avoid the risk of electric shock.
- The range hood must be grounded, it is equipped with a three-pin plug, this plug must be plugged into a grounded socket.
- Please confirm that your home's power supply system (current, voltage, and connecting wires) can meet the normal load requirements of the hood.
- Do not install the range hood on the wall of wood or other flammable materials.

# Installation Diagram





## PART 4: HOW TO USE



After the power is turned on, all the indicator lights are displayed. After about 1 seconds, the indicator lights are off, then the system enters the somatosensory standby state.

1. **On / off key:** When this key is touched in the off state, entering the standby state and waiting for other key operations. When you touch this key again, it returns to the off state. Time-delay function when the motor is running, touch this key to enter a 1-minute time-delay shutdown state, the indicator light flashes during the delay. In the off state, long press this key for 2 seconds to turn off the somatosensory function long press again for 2 seconds to turn on the somatosensory function.
2. **Low/Middle speed key:** Press this button when in the standby state, then the button will light up while the fan will enter the slow running state. Press the button once again, the fan enters a medium-speed running state. Press the button repeatedly to stop the fan and return to the stand by state.
3. **Fast speed key:** Touch this key in standby state, the key lights up and the fan enters the fast running state. Touch the key again to return to the standby state, and the fan stops running.
4. **Light key:** In any state, touch this key to turn on the light. When you touch this key again, the light will turn off. (The lamp is

controlled independently, it can be turned off by manual shutdown)

5. **Cooling function key:** In any state, touch this key to turn on the Cooling function.
  
6. **Gesture Motion Sensor:** Wave your hand from left to right to turn on the cooker hood. The cooker hood will start to operate with high fan speed and LED light will turn on. Wave your hand from right to left to turn off the cooker hood. The cooker hood will stop operate and turn off immediately. (Tips: When using a somatosensory switch, please align your palm with the left and right sensing area! The ideally gesture motion speed from left to right or right to left shall within two seconds! The ideally distance of gesture motion from control panel is from 5 – 10 cm)

## PART 5: MAINTENANCE

MODENA exhaust hood specifically designed for a long term use so that it does not require complicated maintenance. However, there are some things that are recommended to take care of your exhaust hood so that the quality is maintained.

Turn the unit off and unplug the power cord from the electrical source before cleaning

### Cleaning The Cabinet

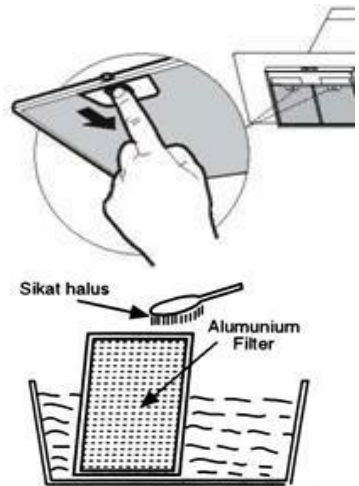
To clean the surface of exhaust hood cabinet from sticky oil particles, use a cloth / sponge and soap water and then dry it out. The cabinet should be cleaned after each cooking session.

### Cleaning The Filter

Smoke / steam from cooking and oil particles generated by the cooking process will immediately absorbed by the filter and therefore the filter should be cleaned regularly

#### Aluminum Filter

- For routine usage, clean the aluminum filter once every 10 – 15 days by soaking the filter in a container filled with soap water for 1 hour (look at image) and use a soft brush to scrub it and then dry the filter thoroughly before placing it back to its proper position.
- Aluminum filter can be cleaned using a dishwasher.
- Avoid bending the filter when you wash it.



## Carbon Filter

Carbon filter must be replaced with a new one at least once every 4 months or when the carbon filter is no longer capable to absorb the cooking odor.

- Remove the aluminum filter first.
- Remove the carbon filter by pulling the hook (for square-shaped filter) or rotating it (for round – shaped filter).
- Install the new carbon filter.
- Reinstall the aluminum filter.

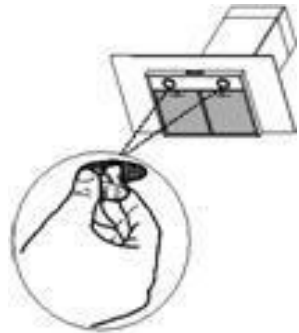


### **ATTENTION:**

Carbon filter cannot be washed and must be replaced with a new one in accordance with the description above

## Changing The Light Bulb

1. Turn off the Hood and unplug the power cord.
2. Disconnect the wire and remove the lamp from exhaust hood body.
3. Change the bulb with the same size and power type.
4. Install the new lamp on the exhaust hood body and reconnect the wire



## PART 6: PROBLEM AND SOLUTION

Problem	Possible Cause	Recommended Action
The light is not on and the motor does not rotate	Poor contact between plug and socket	Repair or replace
	Power line is open	Replace the power cord
	Fuse blown	Replace the fuse
	No power	Wait until the power is recovered and try again
The light is not on and the motor is rotating	The lighting is broken	Replace the lamp assembly
	The transformer of the lamp has been damaged	Repair or replace
	Defective power board or switch	Repair or replace
Light is on, motor does not rotate	Motor over temperature protection act	Repair or replace
	Capacitor burnout	Replace capacitor
	Motor burnout	Replace motor
	Failure of power board and switch	Repair or replace
Vigorous body vibration, noise increase	Check if the range hood is fastened	Hang up the range hood
	Whether the connector fixing screws are loose	Tighten the screws
	Whether the volute fixing screws are loose	Tighten the screws
	Whether the motor fixing screws are loose	Tighten the screws
	Whether the impeller is in place	Installed in place

	Impeller damaged or missing balance weight	Replace impeller
Suction power is weak	Installation height is too high	Adjust to the suitable height
	Kitchen air convection is too tight or tight	Reduce air convection or moderately open doors and windows
	Air duct is too long and turns too much	Install as required
	Too much wind outdoors	Non-technical failure

## **PART 7: PRECAUTION**

- Make sure the hood is turned on after a while to allow the air around the cooking area to circulate properly and make sure the hood is turned off after this process.
- Periodically inspect the filter and oil reservoir. Make sure that the filter is in clean and good condition and make sure the oil reservoir is not exceeding the specified limit.
- If you smell burnt / burnt smell from the hood, immediately turn off the hood and contact the MODENA Service Center.
- Perform a routine service on your stove every 3 (three) months, because if there are problems / problems with your exhaust hood, it can be immediately identified and repaired. Contact MODENA Service Center

## PART 8: SPECIFICATION

Model	CX 9761
Type	Chimney - Wall
Cabinet Material	tempered glass
Front Panel Color	Diamond black
Motor	1 Turbo
Lamp	2 LED
Fan Speed	3
Ionizer (Germinator)	Yes
Filter Type	Aluminum Filter + Carbon Filter
Control Panel	Touch Botton
Voltage ( V )	220 – 240V / 50Hz
Motor Power	220 W
Lamp Power	2 x 1.5 W
Suction Power (m3/h)	750
Dimension (P x L x T) mm	900 x 360 x ( 740 – 1080 )





