

**MODENA**

# **User Manual Book Built-In Electric Hob**

Satina Series  
BE 1725, BE 1320

Crista Series  
BE 1645, BE 1325

# TABLE OF CONTENTS

Part 1: Safety Warnings	3
Installation Warnings	3
Operation and Maintenance	3
Important Safety Instructions	4
Part 2: Name of Parts	6
Part 3: Installation	7
Installing the Electric Cooker on the Kitchen Counter	7
Installing the Induction Cooker on Kitchen Set Table	8
Part 4: How to Use	9
Knob Control	9
Turning On the Electric Plate	9
How to Use the Electric Plate	10
Part 5: Maintenance	10
Glass/Ceramic Surface	10
Part 6: Problem & Solution	11
Part 7: Precaution	11
Part 8: Specification	12

This guide book explains everything you need to know about your new product. Please contact our Customer Care should you need further assistance through [www.modena.com](http://www.modena.com)

# PART 1: SAFETY WARNINGS

Your safety is important to us. Please read the following information carefully before installing or using your Hob.

## Installation Warnings

### Electrical Shock Hazard

- Disconnect the appliance from the electricity supply before carrying out any work or maintenance on it.
- Make sure that grounding system is installed properly.
- Alterations to the domestic wiring system must only be made by MODENA Technician.
- Failure to follow this advice may result in electrical shock or death.

### Cut Hazard

- Take care - panel edges are sharp.
- Failure to be cautious could result in injury or cuts.

### Important Safety Instructions

- No combustible material or products should be placed on the appliance at any time.
- In order to avoid a hazard, this appliance must be installed according to these instructions for installation.
- This appliance is to be properly installed and grounded only by MODENA Technician by contacting MODENA Customer Service.
- This appliance should be connected to a circuit which incorporates an isolating switch providing full disconnection from the power supply.
- Failure to install the appliance correctly could invalidate any warranty or liability claims.

## Operation and Maintenance

### Electrical Shock Hazard

- Do not cook on a broken or cracked hob. If the hob surface break or crack, switch the appliance off immediately at the mains power supply (wall switch) and contact MODENA technician.
- Switch the hob off at the wall before cleaning or maintenance.
- Failure to follow this advice may result in electrical shock or death.

## Health Hazard

- This appliance complies with electromagnetic safety standards.
- However, persons with cardiac pacemakers or other electrical implants (such as insulin pumps) must consult with their doctor or implant manufacturer before using this appliance to make sure that their implants will not be affected by the electromagnetic field.
- Failure to follow this advice may result in death.

## Hot Surface Hazard

- During usage, accessible parts of this appliance will become hot enough to cause burns.

### **ATTENTION**

Metallic objects such as knives, forks, spoons and lids should not be placed on the hob surface since they might get hot.

- Do not let your body, clothing or any item other than suitable cookware contact the ceramic glass until the surface is cooled down.
- Keep children away from the appliance.
- Handles of saucepans may be hot to touch. Check saucepan handles, do not overhang other cooking zones that are on. Keep handles out of reach of children.
- Failure to follow this advice could result in burns and scalds.

## Cut Hazard

- The razor-sharp blade of a hob scraper is exposed when the safety cover is retracted. Use with extreme care and always store safely and out of reach of children.
- Failure to be cautious could result in injury or cuts.

## **Important Safety Instructions**

- Never leave the appliance unattended when in use. Boil over causes smoke and greasy spillovers may ignite fire.
- Never use your appliance as a work or storage surface.
- Never leave any objects or utensils on the appliance.
- Do not place or leave any magnetisable objects (e.g. credit cards, memory

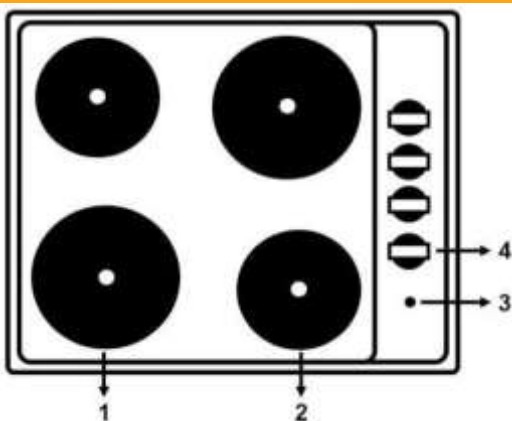
cards) or electronic devices (e.g. computers, MP3 players) near the appliance, as they may be affected by its electromagnetic field.

- Never use your appliance for warming or heating the room.
- After use, always turn off the cooking zones and the hob as described in this manual (i.e. by using the touch controls). Do not rely on the pan detection feature to turn off the cooking zones when you remove the pans.
- Do not allow children to play with the appliance or sit, stand, or climb on it.
- Do not store items of interest to children in cabinets above the hob. Children climbing on the hob could be seriously injured.
- Do not leave children alone or unattended in the area where the appliance is in use.
- Do not repair or replace any part of the appliance unless specifically recommended in the manual. All other repairing process should be done by MODENA technician.
- Do not use steam cleaner to clean hob.
- Do not place or drop heavy objects on hob.
- Do not stand on your hob.
- Do not use pans with jagged edges or drag pans across the ceramic glass surface as this may scratch the glass.
- Do not use scourers or any other harsh abrasive cleaning agents for cleaning, as these can scratch the ceramic glass.
- If the power supply cable is damaged, it must only be replaced by MODENA technician.
- This appliance is intended to be used in household and similar applications such as: staff kitchen areas in shops, offices and other working environments; farm houses; by clients in hotels, motels and other residential type environments; bed and breakfast type environments.
- This appliance can be used by children aged from 8 years and above and persons with reduced physical, sensory or mental capabilities or lack of experience and knowledge if they have been given supervision or instruction concerning use of the appliance in a safe way and understand the hazards involved. Children shall not play with the appliance. Cleaning and user maintenance shall not be done by children without supervision.

### **WARNING!**

Unattended cooking on a hob with fat or oil can be dangerous and may result in fire. Never try to extinguish a fire with water, but switch off the appliance and then cover flame e.g. with a lid or a fire blanket

## **PART 2: NAME OF PARTS**



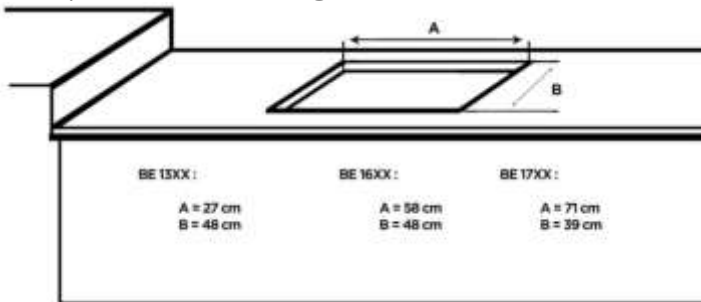
1. Large Electric Plate ( $\varnothing = 18$  cm)
2. Small Electric Plate ( $\varnothing = 14,5$  cm)
3. Residual Heat Indicator
4. Knob

## PART 3: INSTALLATION

- The power outlet must be placed within the reach of the power cord.
- This electric cooker requires 220 – 230V/50 Hz with a minimum fuse of 30 A, with a minimum power cord of 3 core x 2.5 mm<sup>2</sup>

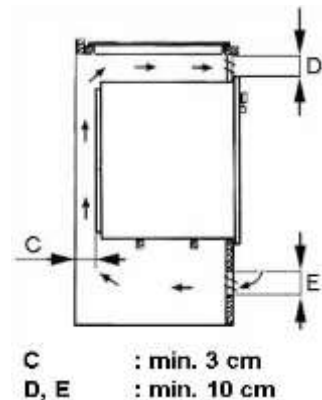
### Installing The Electric Cooker on the Kitchen Counter

- Electric cooker can be placed on the kitchen counter as long as the counter can withstand the heat of around 85°C. Check whether the niche on the kitchen counter is compatible with the electric cooker.
- The size requirements for installing electric cooker on the kitchen counter



#### ATTENTION

- If the induction cooker is installed with an oven below it, separator panel must be placed between the bottom of the stove and the frame below it at a minimum distance of 10 cm.
- If the induction cooker is installed without oven on the bottom, the minimum distances to put the separator panel is 15 cm.
- Electrical cable from both equipments must be installed separately to avoid short circuit.



A (mm)	B (mm)	C (mm)	D	E
--------	--------	--------	---	---

760 mm	50 mm minimal	20 mm minimal	Air intake	Air exit 5mm
--------	---------------	---------------	------------	--------------

## Installing the Induction Cooker on Kitchen Set Table

To install an induction cooker on the kitchen counter niche, follow these instructions:

The cable is directly plugged into a power supply through a circuit breaker.



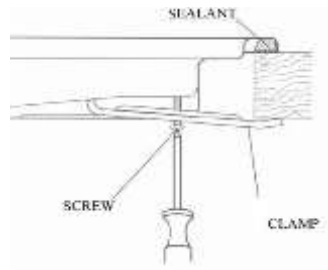
### ATTENTION:

Do not use a power plug, if it is branched/paralleled with other appliances.

Post the seal adhesive along the sides of the stove's bottom part to maintain humidity in the bottom area of the induction cooker.



Place the induction cooker on the kitchen counter niche, and use the available clamp from the induction cooker packaging to fasten the screws.



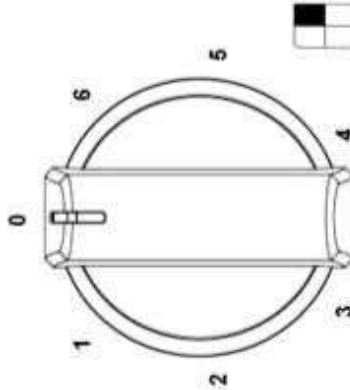
Make sure all parts have been installed and fastened and plug the stove power cord into the power outlet.



## PART 4: HOW TO USE

### Knob Control

The level of heat in the electric plate set from the knob as the picture below:



**0** There is no power / OFF

**1-6** The heating level of electric plate



The position of electric plate that operates

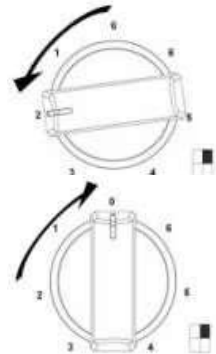
### Turn On the Electric Plate

To turn on the electric plate easily, light it on before putting the cookware on the electric plate. To turn on the electric plate, turn the knob to number 1 to 6.

#### ATTENTION:

If using the electric stove for the first time or if you have not used the electric stove in a long time, select and turn on the electric plate by the heating level to the number 1 direction for 30 minutes before putting the pan on the electric plate.

To turn off the electric plate, turn the knob back to number 0.



## How to Use the Electric Plate

To use the electric plate properly, pay attention and adjust the diameter of the electric plate with diameter of cookware that will be used, in order to save the power consumption and speed up the cooking process.



### NOTE:

Remember that cooking appliances with a wide base surface will further accelerate the cooking process rather than the small base surface.

## PART 5: MAINTENANCE

The MODENA Electric cooker is designed specifically for long term usage and does not require complicated maintenance. However, there are several advices on how to maintain the quality of your stove.

### Glass/Ceramic Surface

- Clean the dirty part of the glass / ceramic using a wet cloth or a special glass / ceramic cleaner, and then dry it using a fine cloth.
- if any spillage becomes burnt on, remove with a ceramic glass cleaner or scraper and clean with a cleaner-conditioner containing silicone.
- Do not allow the ceramic glass surface to become scratched or damaged as this could lead to a hazard.

**ATTENTION:**

- Glass / Ceramic must be cleaned under cool condition, unless if stained with sugar or liquid with high content of sugar, in which case the glass / ceramic must be immediately cleaned, (be careful when doing this, as there's a risk of burn).
- Always turn off the cooking zone and unplug the power cord from the power outlet when necessary before cleaning your electric cooker.

**ATTENTION:**

- Do not use any cleaning agent that can damage the glass / ceramic.
- Do not use caustic or abrasive agents, coarse wire wool or hard tools as these can damage the surface finish.
- Use a fine cloth and avoid scratching your glass / ceramic.

## PART 6: TROUBLESHOOTING

Consult the following troubleshooting before contacting our Service Center regarding your exhaust hood:

Problem	Solution
The electric cooker is inoperable	<ul style="list-style-type: none"><li>• Is the power cord plugged correctly?</li><li>• Is there electricity running through the power outlet?</li><li>• Is the cable on the appliance disconnected?</li></ul>
Cooking zone is not functioning	<ul style="list-style-type: none"><li>• Is the power cord plugged properly?</li><li>• Make sure the zone cooking symbol is selected and the heat is arranged in accordance to needs.</li></ul>

## PART 7: PRECAUTION

- Always reduce the heat in the cooking zone or turn off the cooking zone before removing your cooking utensil.
- Oil or fat must be treated with caution during the cooking process since the material is flammable at certain temperature.

- After the electric cooker is done cooking, the indicator lamp (H) will still be on until the entire cooking zone is cooled off. Do not touch the cooking zone if the indicator lamp is still on.
- Avoid power cord wiring extension.
- In the case of an anomaly on your electric cooker, turn off the appliance and unplug the power cable from the power outlet and immediately contact the MODENA Service Center.
- Turn off the stove or turn off the power through the MCB every after cooking is finished or when the electric cooker is not used for an extended period of time.
- Do not use commercial simmering aids as these can create excessive heat that can damage the appliance.
- Do not use the glass ceramic surface of the hob as a griddle.
- Do not leave hotplates on without a pan or an empty pan. Be aware that hotplates will retain heat whilst cooling down.
- When cooking foods with high sugar content, ensure that any spillage is removed immediately to avoid damage to the ceramic surface.
- Routinely service your stove once every 3 (three) months so that any anomaly on your gas stove can be immediately fixed

## PART 8: SPECIFICATION

MODEL	Satina – BE 1725	Satina – BE 1320
Main features		
Hob type	Electric Hob	Electric Hob
Number of Burners	4 Electric	2 Electric
Burners Composition	Ø 180 mm	Ø 180 mm
	Ø 140 mm	Ø 140 mm
Color	Stainless (S)	Stainless (S)
Top plate	Stainless (S)	Stainless (S)
Control Panel	Mechanical	Mechanical
Cooking level	6	6
Residual Heat Indicator	Yes	Yes
Technical features		
Power		
Single ring Ø 180 mm	2000 Watt	2000 Watt

Single ring Ø 140 mm	1500 Watt	1500 Watt
<b>Product Dimension</b>		
Length (mm)	730	290
Width (mm)	420	500
Hight (mm)	95	95
Weight (kg)	10	5.8
<b>MODEL</b>	Crista – BE 1645	Crista – BE 1325
<b>Main features</b>		
Hob type	Electric Hob	Electric Hob
Number of Burners	4 Electric	2 Electric
	2 Ø 180 mm	Ø 180 mm
Burners Composition	Ø 140 mm	Ø 110 mm
	Ø 110 mm	-
Color	Diamond Black	Diamond Black
Top plate	Tempered Glass	Tempered Glass
Control Panel	Mechanical	Mechanical
Cooking level	6	6
Residual Heat Indicator	Yes	Yes
<b>Technical features</b>		
<b>Power</b>		
Single ring Ø 180 mm	2 @ 2000 Watt	2000 Watt
Single ring Ø 140 mm	1500 Watt	-
Single ring Ø 110 mm	600 Watt	600 Watt
<b>Product Dimension</b>		
Length (mm)	600	300
Width (mm)	510	510
Height (mm)	95	95
Weight (kg)	12.8	6.6



