

User Manual Book Refrigerator

Retro Series
RF 2332






TABLE OF CONTENT


Part 1: Safety information	4
Part 2: Name of parts	7
Part 3: Installation guide	8
Before first use	8
Moving the appliance	8
Installation environment	8
Feet adjustment	9
Part 4: How to use	10
Control Panel Type A	10
Control Panel Type B	12
Temperature Setting Recommendation	14
Temperature adjustment warnings	14
Important Installation Instructions	15
Accessories	15
First use	20
Daily use	20
Food storage tips	21
Part 5: Maintenance	24
Defrosting	24
LED lamp replacement	25
Environmental notice	25
Part 6: Troubleshooting	26
Error Code	27
Part 7: Specification	30
Appendix: Food storage guide	31


This guide book explains everything you need to know about your new product. Please contact our Customer Care should you need further assistance through www.modena.com.


PART 1: SAFETY INFORMATION

READ THIS MANUAL CAREFULLY!

Symbol	Type	Definition
	WARNING	Serious injury or death risk
	RISK OF ELECTRIC SHOCK	Dangerous voltage risk
	FIRE HAZARD	Risk of fire or flammable material
	CAUTION	Injury or property damage risk
	IMPORTANT	Important information on product operations


 Keep the air ventilation open, if the appliance is set in enclosed space or in the built-in structure and clear from any obstructions.

 Do not use electrical devices inside the food storage compartments of the appliance, unless they are of the type recommended by the manufacturer.

 Do not use electrical appliances inside the food storage compartments of the appliance, unless they are of the type recommended by the manufacturer.

 Do not damage the refrigerant circuit.

 When positioning the appliance, ensure the supply cord is not trapped or damaged.

 The refrigerant and insulation blowing agent inside the

refrigerator need a special disposal procedure. Consult the disposal method with related parties.



Your refrigerator contains iso-butane refrigerant (R600a) in a small quantity. Make sure there is no damage or leakage. Refrigerant leakage may lead to fire or damage to your eyes. If a leakage is detected, move the refrigerator away from the fire sources or any other potential sources which can cause fire.



WARNING! Do not place multiple portable socket or portable power supplies on the back of the appliance

- Do not use power socket adapter
- For products using Fixing Bracket

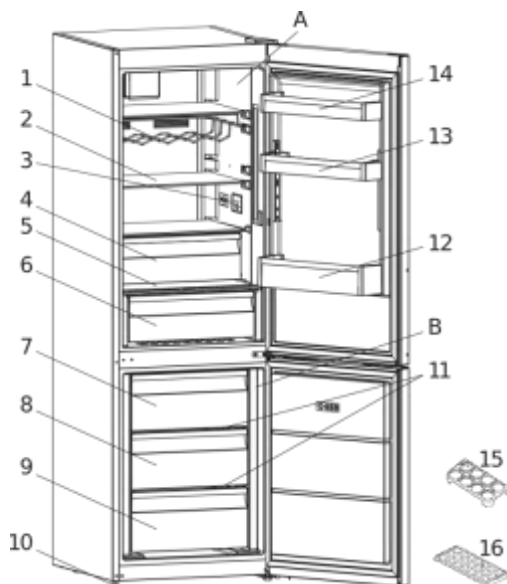


WARNING! To avoid a danger due to instability of the appliance, it must be fixed in accordance with the instructions.

- Opening the door for a long period of time can cause a significant increase of the temperature in the compartment of the appliance
- Clean the surfaces that contact with food directly and also the accessible drainage systems regularly
- Store raw meat and fish in suitable containers in the refrigerator, so that they do not contact with or drip onto other foods.
- If the refrigerating appliance is left empty for a long period of time; switch it off, defrost, clean, dry, and leave the door open to prevent mold from developing within the appliance
- While carrying and placing the refrigerator, do not damage the cooler gas circuit.

- Do not store explosive substances such as aerosol cans with a flammable propellant in this appliance.
- This appliance is intended to be used in household and domestic applications
- If the socket does not match the refrigerator plug, it must be replaced by the manufacturer, a service agent or similar qualified persons in order to avoid accidents.
- A specially grounded plug has been connected to the power cord of your refrigerator. This plug should be used with a specially grounded power socket of 16 amperes. If there is no such socket available in your house, please have one installed by an expert authorized electrician.
- Children are not allowed to perform cleaning or user maintenance of the appliance, very young children (0-3 years old) are not allowed to use appliances, young children (3-8 years old) are allowed to use appliances under surveillance, older children (8-14 years old) and vulnerable people can use appliances safely after they have been given appropriate surveillance or instruction concerning the use of the appliance and the risks that may occur. Very vulnerable people are not allowed to use appliances unless continuous surveillance is given.
- If the supply cord is damaged, it must be replaced by a technician an authorized service agent or similar qualified persons, in order to avoid danger.
- This appliance is not intended for use at altitudes higher than 2000 meters above the sea level.

PART 2: NAME OF PARTS



- | | |
|-------------------------------|----------------------------|
| A. Refrigerator Compartment | 8. Freezer middle basket |
| B. Freezer Compartment | 9. Freezer bottom basket |
| 1. Wine rack (Optional) | 10. Leveling foot |
| 2. Refrigerator shelves | 11. Freezer glass shelves |
| 3. Electronic control display | 12. Big bottle door basket |
| 4. Chiller | 13. Door shelf |
| 5. Crisper cover | 14. Adjustable door shelf |
| 6. Crisper Drawer | 15. Egg basket |
| 7. Freezer upper basket | 16. Ice tray |

**Feature and parts may vary depending on the model*

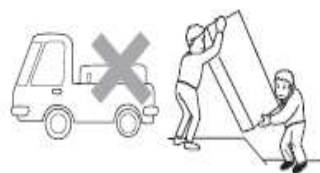
PART 3: INSTALLATION GUIDE

Before First Use

- Remove all packages, including the foam backing at the bottom of refrigerator and the tapes fixing accessories in the box.
- Place the refrigerator to a proper position, and adjust the feet to level. It is better to clean the refrigerator before use.

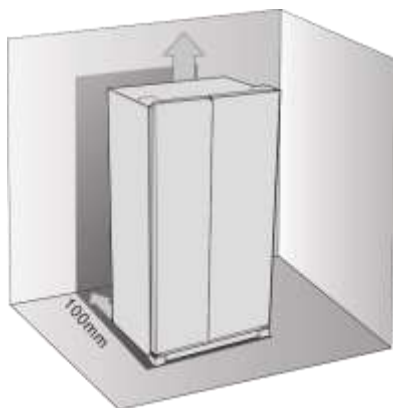
Moving the Appliance

- Do not carry the refrigerator horizontally or reversely
- Do not carry the refrigerator by holding the door or handle; the refrigerator shall be carried by lifting the bottom.



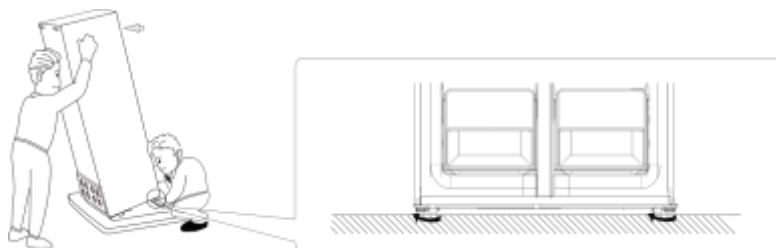
Installation Environment

- Keep away from heat sources or direct sunlight
- The refrigerator must be placed on a hard and flat ground
- The refrigerator shall be kept away from damp locations where water is easy to splash; water or dirt shall be removed with soft cloth timely to prevent rusting which may have an effect on the electrical characteristics.
- Place the refrigerator in a well-ventilated place, reserve a certain space around and behind the refrigerator, and do not cover or block the air grille on the rear cover plate of compressor at the back of refrigerator
- Provide space of minimum 100 mm between the back of the refrigerator with the wall, and minimum 50 mm between both sides of the refrigerator with the wall or other objects



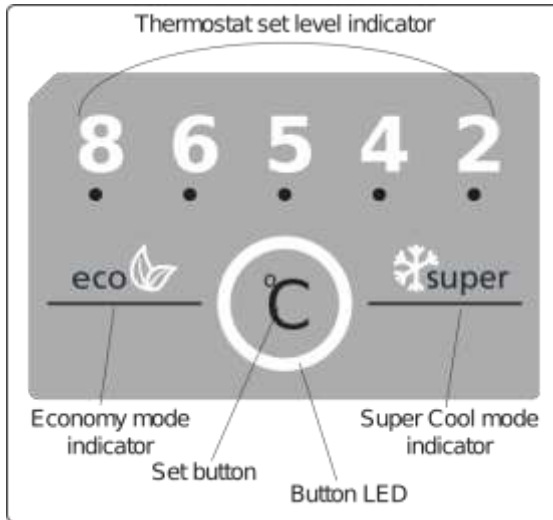
Feet Adjustment

- Please make sure to adjust two front plastic feet until the height is suitable
- Turn the feet clockwise to heighten them or rotate the feet counterclockwise to lower them until the desired height.



PART 4: HOW TO USE

CONTROL PANEL TYPE A



Refrigerator Temperature Settings

- Initial temperature value for cooler setting indicator is 6°C.
- Press set button once, the set value will start to blink.
- If you keep pressing set button, lower temperatures will be selected. (8-6-5-6-4-2-Super-Eco).
- If no button is pressed for 1 second, your choice will be set, it will blink 3 times. Buzzer will sound.

Super Cool Mode

Use this mode if you want to:

- Cool huge quantities of food
- Cool fast foods
- Cool foods quickly
- Store seasonal food for a long time

How to Use:

Press set button until super cool symbol will be seen on the screen. Buzzer will sound. Mode will be set.

During this mode:

- Economy mode can not be selected.
- Super cool mode can be canceled by pressing set button again until the super cool symbol disappears.

Economy Mode

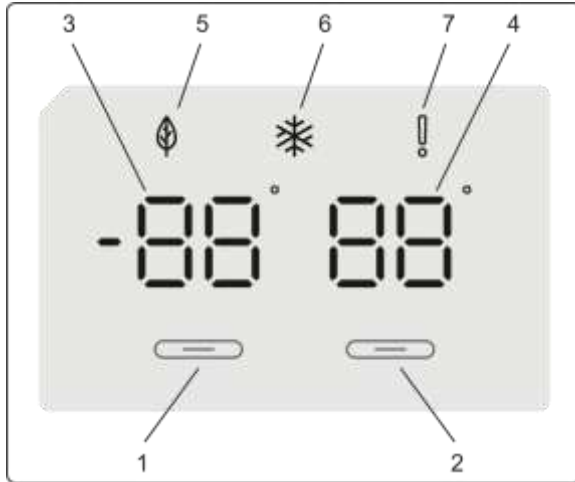
How to Use:

Press set button until Eco symbol will be seen on the screen. Buzzer will sound. Mode will be set.

During this mode:

- Super cool can be selected. Economy mode is automatically canceled and the selected mode is activated.
- Eco mode can be canceled by pressing set button again until the economy symbol disappears.

CONTROL PANEL TYPE B



1. Freezer temperature setting
2. Refrigerator temperature setting
3. Freezer temperature display
4. Refrigerator temperature display
5. ECO mode indicator
6. Super Freeze indicator
7. Alarm indicator

Refrigerator Temperature Settings

- Initial temperature value for cooler setting indicator is 4°C.
- Press button (2) once, the value will start to blink
- Each time you press the button, the temperature display will change to a lower value (8-6-5-4-2), and will return to 8

Freezer Temperature Settings

- Initial temperature value for freezer setting indicator is -18°C
- Press button (1) once, the value will start to blink
- Each time you press the button, the temperature display will change to a lower value (-16, -18, -20, -22, -24), and will return to -16.

- ECO Mode will automatically activated when the temperature is set to -18°C

Super Freeze Mode

Use this mode if you want to:

- Freeze large quantity of food
- Freeze prepared foods
- Freeze fresh food quickly to retain freshness

Press and hold button (1) for 3 seconds. If the mode is successfully selected, the Super Freeze indicator lamp (6) will turn on followed by beep sound. During the Super Freeze mode;

- Cooler temperature will be set automatically
- ECO Mode cannot be selected
- Super Freeze can be cancelled in the same way it is selected

NOTE!

- For maximum performance, activate Super Freeze mode 3 hours before you put fresh food into the freezer
- Super Freeze mode will automatically cancel after 24 hours depending on the environmental temperature or when the freezer sensor reaches a sufficiently low temperature

Temperature Setting Recommendations

Freezer	Cooler	Remark
-18°C	4°C	For regular use and best performance
-20°C, -22°C, or -24°C	4°C	When ambient temperature exceeds 30°C
Super Freeze	4°C	When you want to freeze food in a short period of time
-18°C, -20°C, -22°C, or -24°C	2°C	When ambient temperature is high or if you think the cooler compartment is not cool enough because the door is being opened frequently

Door Open Alarm Function

If the refrigerator door is opened more than 2 minutes, there will be beep sounds.

Temperature Adjustment Warnings

- It is not recommended that you operate your fridge in environments colder than 10°C in terms of its efficiency.
- Do not start another adjustment while you are already making an adjustment.
- Temperature adjustments should be made according to the frequency of door openings, the quantity of food kept inside the fridge and the ambient temperature in the location of your fridge.
- In order to allow your fridge to reach the operating temperature after being connected to mains, do not open the doors frequently or place large quantities of food in the fridge. Please note that, depending on the ambient temperature, it may take 24 hours for your fridge to reach the operating temperature.

- A 5 minute delay function is applied to prevent damage to the compressor of your fridge when connecting or disconnecting to mains, or when an energy breakdown occurs. Your fridge will begin to operate normally after 5 minutes.
- Your appliance is designed to operate in the ambient temperature (T/SN = 10°C - 43°C) intervals stated in the standards, according to the climate class displayed on the information label. We do not recommend operating your appliance out of the stated temperature limits in terms of cooling effectiveness.

Climate Class	Ambient Temperature (°C)
T	Between 16 and 43
ST	Between 16 and 38
N	Between 16 and 32
SN	Between 10 and 32

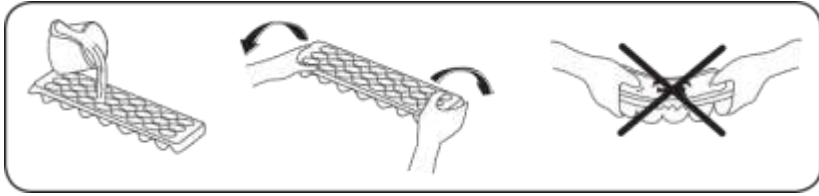
Important installation instructions

This appliance is designed to work in difficult climate conditions (up to 43°C or 110°F) and is powered with 'Freezer Shield' technology which ensures that the frozen food in the freezer will not defrost even if the ambient temperature falls as low as -15°C. So you may then install your appliance in an unheated room without having to worry about frozen food in the freezer being spoilt. When the ambient temperature returns to normal, you may continue using the appliance as usual.

Accessories

Ice Tray

- Fill the ice tray with water and place in the freezer compartment.
- After the water has completely frozen, you can twist the tray as shown below to remove the ice cubes.



Freezer Boxes

The freezer box allows food to be accessed more easily

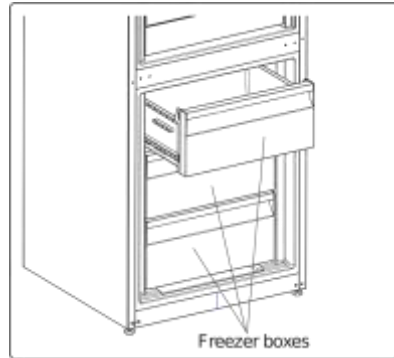
Removing the freezer box:

- Pull the box out as far as possible
- Pull the front of the box up and out

Carry out the opposite of this operation when refitting the sliding compartment.

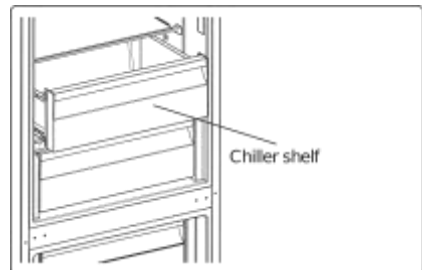


Always keep hold of the handle of the box while removing it



Chiller Shelf (in some models)

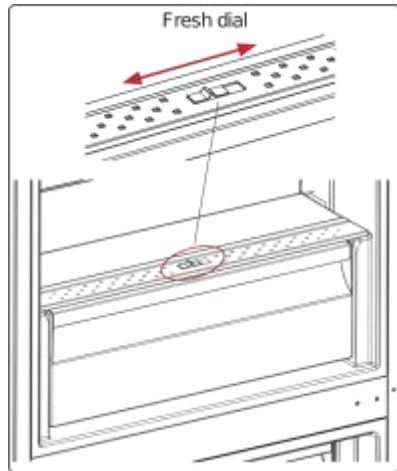
Keeping food in the Chiller compartment, instead of the freezer or refrigerator compartments, allows food to retain freshness and flavour for longer, while preserving its fresh appearance. When the Chiller tray becomes dirty, remove it and wash with water.



Do not put food you want to freeze or ice trays (to make ice) in the Chiller compartment.

Fresh Dial (in some models)

If the crisper is full, the fresh dial located in front of the crisper should be opened. This allows the air in the crisper and the humidity rate to be controlled, to increase the life of food within. The dial, located behind the shelf, must be opened if any condensation is seen on the glass shelf.



Adjustable Door Basket (in some models)

Six different height adjustments can be made to provide storage areas that you need by adjustable door shelf. To change the position of adjustable door shelf:

Hold the bottom of the shelf and pull the buttons on the side of the door shelf direction of arrow. (Fig.1)

Position the door shelf to the height you need by moving up and down. After you get the position that you want, release the buttons on the side of the door shelf (Fig.2)

Before releasing the door shelf, move up down and make sure the door shelf is fixed.



Note: Before moving door shelf is loaded, you must hold the shelf by supporting the bottom. Otherwise, door shelf could fall off the rails due to the

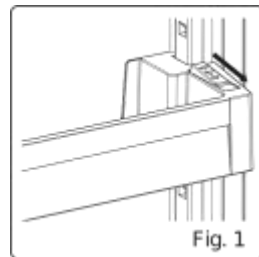


Fig. 1

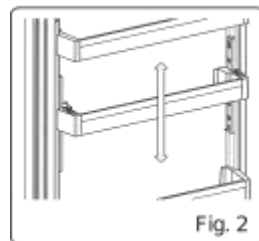
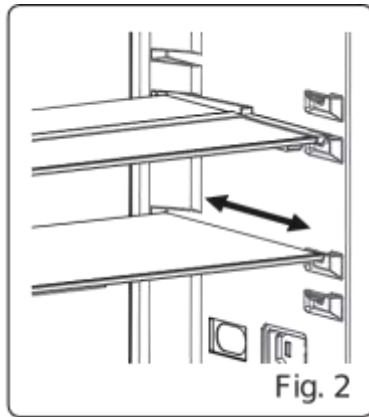
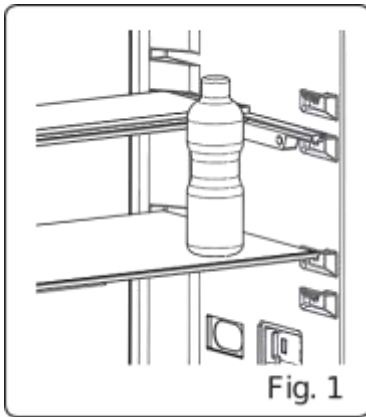


Fig. 2

weight. So damage may occur on the door shelf or rails.

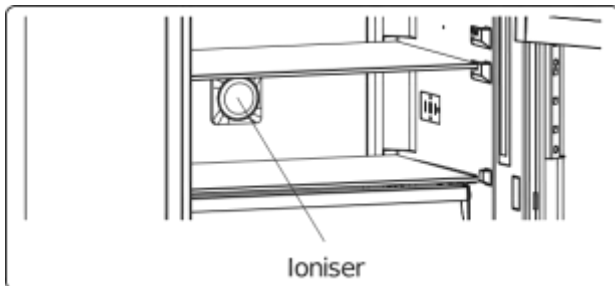
Adjustable Glass Shelf (in some models)

Adjustable glass shelf mechanism provides higher storage spaces with a simple movement. To cover the glass shelf, push it. You can load your food as you want in the resulting extra space. To bring the shelf in its original position, pull it toward you (Fig. 2)



Natural Ion Tech (in some models)

Natural Ion Tech spreads negative ions which neutralize particles of unpleasant smell and dust in the air. By removing these particles from the air in the refrigerator, Natural Ion Tech improves air quality and eliminates odors.

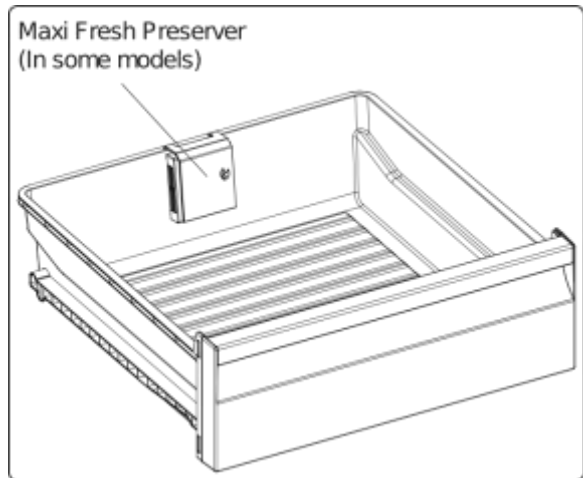
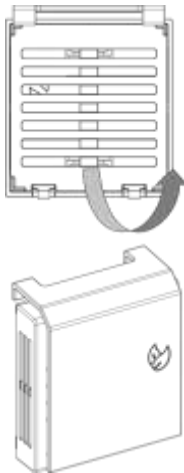


- This feature is optional. It may not exist on your product.
- The location of your ioniser device may vary from product to product.

Maxi-fresh preserver (in some models)

Maxi Fresh Preserver technology helps to remove ethylene gas (a byproduct released naturally from fresh foods) and unpleasant odors from the crisper. In this way, food stays fresh for a longer time.

- Maxi Fresh Preserver must be cleaned once in a year. The filter should be waited for 2 hours at 65°C in an oven.
- To clean the filter, please remove the back cover of the filter box by pulling it in the direction of the arrow. (see picture)
- The filter should not be washed with water or any detergent.



First use

Cleaning the interior

Before using the appliance for the first time, wash the interior and all internal accessories with lukewarm water and some neutral soap so as to remove the typical smell of a brand new product, then dry thoroughly.

IMPORTANT!

Do not use detergents or abrasive powders, as these will damage the finish.

Daily Use

Freezing Fresh Food

- The freezer compartment is suitable for freezing fresh food and storing frozen and deep-frozen food for a long time.
- Place the fresh food to be frozen in the bottom compartment.
- The maximum amount of food that can be frozen in 24 hours is specified on the rating plate.
- The freezing process lasts 24 hours: during this period do not add other food to be frozen.

Storing Frozen Food

When first starting-up or after a period out of use. Before putting the product in the compartment let the appliance run at least 2 hours on the higher settings.

IMPORTANT!

In the event of accidental defrosting, for example the power has been off for longer than the value shown in the technical characteristics chart under "rising time", the defrosted food must be consumed quickly or cooked immediately and then re-frozen (after cooked).

Thawing

Deep-frozen or frozen food, prior to be used, can be thawed in the freezer compartment or at room temperature, depending on the time available for this operation. Small pieces may even be cooked still frozen, directly from the freezer. In this case, cooking will take longer.

Food Storage Tips

Refrigerator

- To reduce humidity and avoid the consequent formation of frost, always store liquids in sealed containers in the refrigerator. Frost tends to concentrate in the coldest parts of the evaporating liquid and, in time, your appliance will require more frequent defrosting.
- Never place warm food in the refrigerator. Warm food should be allowed to cool at room temperature and should be arranged to ensure adequate air circulation in the refrigerator compartment.
- Make sure no items are in direct contact with the rear wall of the appliance as frost will develop and packaging will stick to it. Do not open the refrigerator door frequently.
- We recommend that meat and clean fish are loosely wrapped and stored on the glass shelf just above the vegetable bin where the air is cooler, as this provides the best storage conditions.
- Store loose fruit and vegetable items in the crisper containers. Storing fruit and vegetables separately helps prevent ethylene-sensitive vegetables (green leaves, broccoli, carrot, etc.) being affected by ethylene releasing fruits (banana, peach, apricot, fig etc.).
- Do not put wet vegetables into the refrigerator.
- Storage time for all food products depends on the initial quality of the food and an uninterrupted refrigeration cycle before refrigerator storage.
- To avoid cross-contamination do not store meat products with fruit and vegetables. Water leaking from meat may contaminate other products in the refrigerator. You should package meat products and clean any leakages on the shelves.
- Do not put food in front of the air flow passage.

- Consume packaged foods before the recommended expiry date.
- See Food Storage Guide in Appendix 1

NOTE!

Potatoes, onions and garlic should not be stored in the refrigerator. The table below is a quick guide to show you the most efficient way to store the major food groups in your refrigerator compartment.

Freezer

- The freezer is used for storing frozen food, freezing fresh food, and making ice cubes
- For freezing fresh food; wrap and seal fresh food properly, that is the packaging should be air tight and shouldn't leak. Special freezer bags, aluminum foil polythene bags and plastic containers are ideal.
- Do not store fresh food next to frozen food as it can thaw the frozen food.
- Before freezing fresh food, divide it into portions that can be consumed in one sitting.
- Consume thawed frozen food within a short period of time after defrosting
- Never place warm food in the freezer compartment as it will thaw the frozen food.
- Always follow the manufacturer's instructions on food packaging when storing frozen food. If no information is provided food, should not be stored for ore than 3 months from the date of purchase.
- When purchasing frozen food, make sure that it has been stored under appropriate conditions and that the packaging is not damaged.
- Frozen food should be transported in appropriate containers and placed in the freezer as soon as possible
- Do not purchase frozen food if the packaging shows signs of humidity and abnormal swelling. It is probable that it has been stored

at an unsuitable temperature and that the contents have deteriorated.

- The storage life of frozen food depends on the room temperature, the thermostat setting, how often the door is opened, the type of food, and the length of time required to transport the product from the shop to your home. Always follow the instructions printed on the packaging and never exceed the maximum storage life indicated.
- The maximum amount of fresh food (in kg) that can be frozen in 24 hours is indicated on the appliance label.
- See Food Storage Guide in Appendix 1

NOTE!

If you attempt to open the freezer door immediately after closing it, you will find that it will not open easily. This is normal. Once equilibrium has been reached, the door will open easily.

IMPORTANT!

- Never refreeze thawed frozen food.
- The taste of some spices found in cooked dishes (anise, basilica, watercress, vinegar, assorted spices, ginger, garlic, onion, mustard, thyme, marjoram, black pepper, etc.) changes and they assume a strong taste when they are stored for a long period of time. Therefore, add small amounts of spices to food to be frozen, or the desired spice should be added after the food has thawed.
- The storage time of food is dependent on the type of oil used. Suitable oils are margarine, calf fat, olive oil and butter. Unsuitable oils are peanut oil and pig fat.
- Food in liquid form should be frozen in plastic cups and other food should be frozen in plastic folios or bags.

PART 5: MAINTENANCE



Disconnect the unit from the power supply before cleaning.



Do not wash your appliance by pouring water on it.



Do not use abrasive products, detergents or soaps for cleaning the appliance.

After washing, rinse with clean water and dry carefully. When you have finished cleaning, reconnect the plug to the mains supply with dry hands.

- Make sure that no water enters the lamp housing and other electrical components.
- The appliance should be cleaned regularly using a solution of bicarbonate of soda and lukewarm water.
- Clean the accessories separately by hand with soap and water. Do not wash accessories in a dish washer.
- Clean the condenser with a brush at least twice a year. This will help you to save on energy costs and increase productivity.



The power supply must be disconnected during cleaning!

Defrosting

- Your appliance performs automatic defrosting. The water formed as a result of defrosting passes through the water collection spout, flows into the vaporization container behind your appliance and evaporates there.
- Make sure you have disconnected the plug of your appliance before cleaning the vaporization container.
- Remove the vaporization container from its position by removing the screws as indicated. Clean it with soapy water at specific time intervals. This will prevent odors from forming.

LED Lamp Replacement

If your appliance has LED lighting contact the help desk as this should be changed by technician.

Environmental Notice



The packaging material used is recyclable. We recommend that you separate plastic, paper and cardboard and give them to recycling agents. To help preserve the environment, the refrigerant used in this product is R600a (Hydrofluorocarbon - HFC), which does not affect the ozone layer and has little impact on the greenhouse effect.

According to WEEE (Waste of Electrical and Electronic Equipment) guidelines, waste from electrical and electronic devices should be collected separately. If you need to remove of this appliance in the future, do not throw it away with the rest of your domestic garbage. Instead, please take the appliance to the nearest WEEE collecting agents, where available.

PART 6: TROUBLESHOOTING

Problem	Possible Cause	Recommended Action
Refrigerator does not operate	<ul style="list-style-type: none"> • The mains plug of the appliance is not in the socket properly • The fuse for the domestic supply is switched off 	<ul style="list-style-type: none"> • Check whether the power is on; • The fuse must be switched on.
No display on the display panel	<ul style="list-style-type: none"> • The mains plug of the appliance is not in the socket properly • The fuse for the domestic supply is switched off 	<ul style="list-style-type: none"> • Check whether the power is on; • The fuse must be switched on.
Alarm sound	<ul style="list-style-type: none"> • Door is slightly open or not close more than 1 minute 	<ul style="list-style-type: none"> • Close the door completely.
The food is not frozen enough	<ul style="list-style-type: none"> • Temperature is not properly adjusted • Door was opened for an extended period • A large quantity of warm food was placed in the appliance within the last 24 hours • The appliance is near a heat source 	<ul style="list-style-type: none"> • Please look in the initial temperature setting section • Open the door as long as necessary • Adjust the temperature to colder setting temporarily • Please look in the installation section
The compressor do not work	<ul style="list-style-type: none"> • It is under defrosting mode • Power is not connected well 	<ul style="list-style-type: none"> • It is normal for defrosting • Check whether the power is connected well.
Compressor runs too long	<ul style="list-style-type: none"> • The fridge has recently been disconnected for a period of time 	<ul style="list-style-type: none"> • It takes some hours for the fridge to cool down completely. • Hot food will cause the fridge to run

Problem	Possible Cause	Recommended Action
	<ul style="list-style-type: none"> Put too much fresh or hot food Doors are opened too frequently or too long 	<ul style="list-style-type: none"> longer until the desired temperature is reached. Warm air entering the fridge cause it to run longer. Open the door less often.
Vibrations	<ul style="list-style-type: none"> Floor is uneven or weak. Refrigerator rocks on the floor when it is moved slightly. The refrigerator is touching the wall. 	<ul style="list-style-type: none"> Check to assure that the refrigerator is on a level surface. Re-level the refrigerator and move it from the wall

Error Code

Your appliance will give signals when a problem occurs. Error code will be displayed on the control panel display

Error Code	Meaning	Why	Recommended Action
E01	Sensor Warning		Call Service Center for repair
E02			
E03			
E06			
E07			
E08	Low Voltage Warning	Voltage supply has dropped below 170 V	<ul style="list-style-type: none"> This is not device failure, this error helps to protect the compressor from damage The voltage needs to be increased back to required levels <p>If this warning continues, call Service Center</p>

Error Code	Meaning	Why	Recommended Action
E09	Freezer compartment is not cold enough	Likely to occur after long term of power failure/blackout	<ol style="list-style-type: none"> 1. Set the freezer temperature to a colder value or set Super Freeze. This should remove the error code once the required temperature has been reached. Keep doors closed to improve time taken to reach the correct temperature. 2. Remove any products which have thawed/defrosted during this error. They can be used within a short period of time 3. Do not add any fresh produce to the freezer compartment until the correct temperature has been reached and the error is no longer <p>If this warning continues, call Service Center</p>

Error Code	Meaning	Why	Recommended Action
E10	Cooler compartment is not cold enough	Likely to occur after long term of power failure/blackout and storing hot food into the refrigerator	<ol style="list-style-type: none"> 1. Set the fridge temperature to a colder value or set Super Cool. This should remove the error code once the required temperature has been reached. Keep doors closed to improve time taken to reach the correct temperature. 2. Please empty the location at the front area of air duct channel holes and avoid putting food close to the sensor. <p>If this warning continues, call Service Center</p>
E11	Cooler compartment is too cold	Various	<ol style="list-style-type: none"> 1. Check is Super Cool mode is activated 2. Reduce the fridge compartment temperature 3. Check to see if vents are clear and not clogged <p>If this warning continues, call Service Center</p>

PART 7: SPECIFICATION

Model	RF 2332 (R/N/U/O/C/L)*
Type	Bottom freezer
No. of doors	2
Defrosting	Automatic
Refrigerant	R600a
Interior light	LED
Total Capacity (Liter)	324
Refrigerator Capacity (Liter)	230
Freezer Capacity (Liter)	94
Defrost power input (Watt)	197
Electrical Rating	220-240V~50Hz
Product dimension (W×D×H)(mm)	605x681x1901

**S = Stainless, R = Red, C = Cream, O = Orange, N = Green, U = Blue, W = White, V = Silver, G = Grey, L = Black*

Design and specification can change without prior notice to improve the quality of the product. The illustration in this manual is schematic and can be different with your actual product. The values on label or in other documents are according to laboratory test and relevant standards. Values can vary depending on the actual operational and environmental condition of the product.

APPENDIX: FOOD STORAGE GUIDE

Meat & Fish	Preparation	Maximum storage time (months)
Steak	Wrap in foil	6-8
Lamb meat	Wrap in foil	6-8
Veal roast	Wrap in foil	6-8
Veal cubes	In small pieces	6-8
Lamb cubes	In pieces	4-8
Minced meat	In packaging without spices	1-3
Giblets (pieces)	In pieces	1-3
Bologna sausage/salami	Should be kept packaged even if it has a membrane	
Chicken and turkey	Wrap in foil	4-6
Goose and duck	Wrap in foil	4-6
Deer, rabbit, wild boar	In 2.5 kg portions or as fillets	6-8
Freshwater fish	After cleaning the bowels and scales of the fish, wash and dry it. If necessary, remove the tail and head.	2
Lean fish		4
Fatty fish		2-4
Shellfish	Clean and in a bag	4-6
Caviar	In its packaging, or in an aluminium or plastic container	2-3
Snails	In salty water, or in an aluminium or plastic container	3

NOTE!

Thawed frozen meat should be cooked as fresh meat. If the meat is not cooked after defrosting, it must not be re-frozen

Vegetables and Fruits	Preparation	Maximum storage time (months)
String beans and beans	Wash, cut into small pieces and boil in water	10-13
Beans	Hull, wash and boil in water	12
Cabbage	Clean and boil in water	6-8
Carrot	Clean, cut into slices and boil in water	12
Pepper	Cut the stem, cut into two pieces, remove the core and boil in water	8-10
Spinach	Wash and boil in water	6-9
Cauliflower	Remove the leaves, cut the heart into pieces and leave it in water with a little lemon juice for a while	10-12
Eggplant	Cut into pieces of 2cm after washing	10-12
Corn	Clean and pack with its stem or as sweet corn	12
Apple and Pear	Peel and slice	8-10
Apricot and Peach	Cut into two pieces and remove the stone	4-6
Strawberry and blackberry	Wash and hull	8-12
Cooked fruits	Add 10 % of sugar to the container	12
Plum, cherry, sourberry	Wash and hull the stems	8-12

	Maximum storage time (months)	Thawing time at room temperature (hours)	Thawing time in oven (minutes)
Bread	4-6	2-3	4-5 (220-225°C)
Biscuits	3-6	1-1,5	5-8 (190-200°C)
Pastry	1-3	2-3	5-10 (200-225°C)
Pie	1-1,5	3-4	5-8 (190-200°C)
Phyllo dough	2-3	1-1,5	5-8 (190-200°C)
Pizza	2-3	2-4	15-20 (200°C)

Dairy products	Preparation	Maximum storage time (months)	Storage conditions
Packet (homogenized)	In its own packet	2-3	Pure Milk – in its own packet
Cheese - excluding white cheese	In slices	6-8	Original packaging may be used for short-term storage. Keep wrapped in foil for longer periods.
Butter, margarine	In its packaging	6	

Ciao! **MODENA**

www.modena.com

PT MODENA INDONESIA

Jl. Industri Raya I Blok D-8,
Jatiuwung, Tangerang 15135