

User Manual Book Spin Mop

Lustro Series
SM 3201 L

TABLE OF CONTENT

Part 1: Safety Information	4
Precautions	4
Environmental Notice	5
Part 2: Name of Parts	6
Part 3: Quick Start Guide	7
Installation	7
How to Use	7
How to Charge	8
Part 4: Maintenance	10
Removing and cleaning the mops	10
Changing the battery	11
Part 5: Troubleshooting	12
Part 6: Specification	13

This guide book explains everything you need to know about your new product. Please contact our Customer Care should you need further assistance through www.modena.com.

PART 1: SAFETY INFORMATION

Read the user manual book carefully!

- Do not try to install or turn on the unit without having read the indicated safety precautions in this manual.
- Do not disassemble the electrical parts of this appliance. Any repairs done by an unauthorized person may cause serious injuries or properties incident.
- The adult should supervise the children in order to make sure the children can not play with the appliance.
- The appliance is not intended for use by persons(including children) with reduced physical, sensory or mental capabilities, or lack of experience and knowledge, unless they have been given supervision or instruction concerning use of the appliance by a person responsible for their safety.
- This appliance is intended to be household use only. Usage outside the intended use or excessive use may void the warranty.
- Do not modify the power cord. If the power cord is damaged, it must be replaced by technician with a replacement cable according to the appliance specification
- To avoid danger of suffocation, keep plastic bag away from babies and children.

Precautions

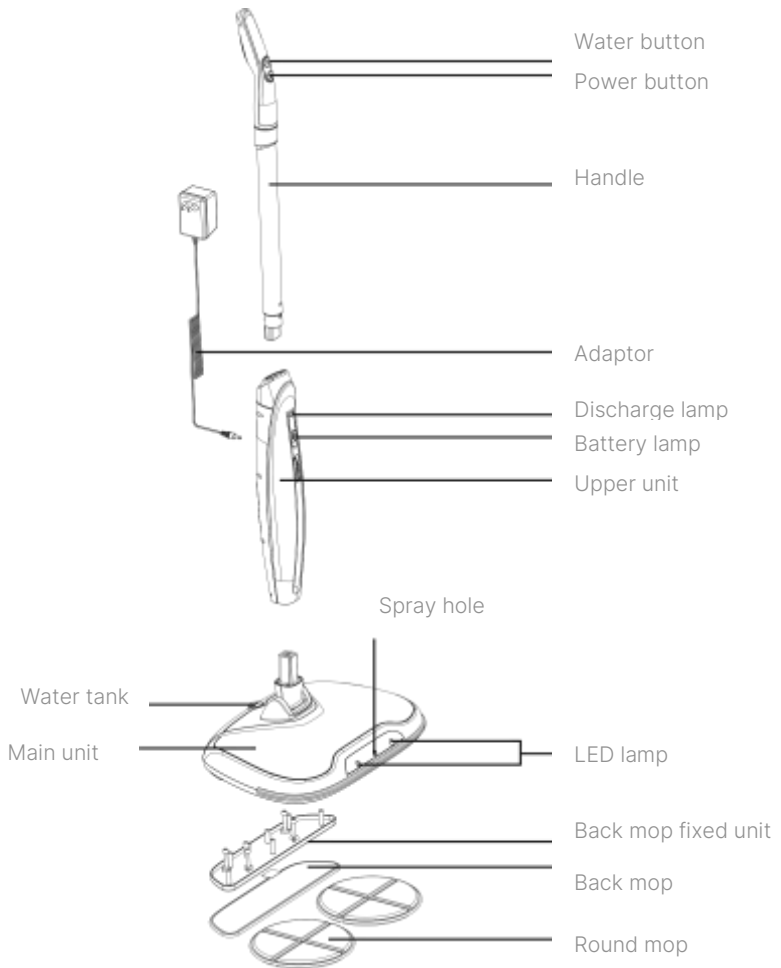
- Destroy the carton, plastic bag and other packing materials after the product is unpacked. Children might use them for play.
- Children require supervision when using the product
- Keep the unit in a dry place and away from direct sunlight. Do not place the machine on paper or foam. Do not place anything flammable beside this machine.
- Never use organic liquids polishing chemical to clean the machine.

Environmental Notice



The packaging material used is recyclable. We recommend that you separate plastic, paper and cardboard and give them to recycling agents. According to WEEE (Waste of Electrical and Electronic Equipment) guidelines, waste from electrical and electronic devices should be collected separately. If you need to remove of this appliance in the future, do not throw it away with the rest of your domestic garbage. Instead, please take the appliance to the nearest WEEE collecting agents, where available.

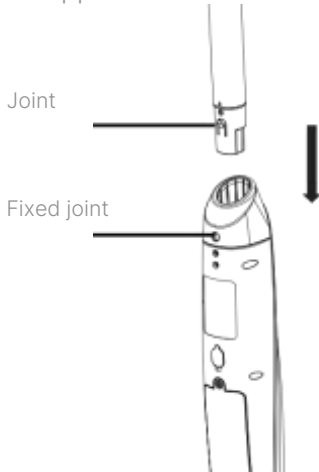
PART 2: NAME OF PARTS



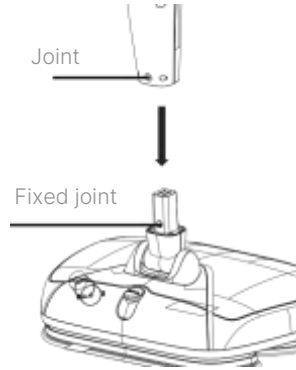
PART 3: QUICK START GUIDE

Installation

1. Insert the handle into the upper unit until it clicks

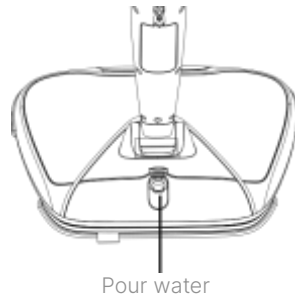


2. Insert the upper body into the main unit until it clicks

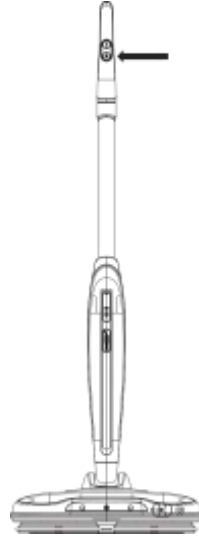
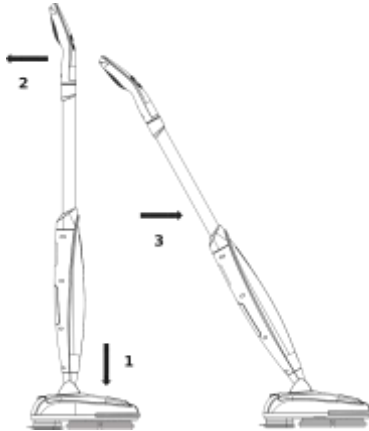


How to Use

1. Open the water tank cover
2. Pour water into the water tank until it's full and close the cover



3. Put your leg on the product and at the same time, pull the handle back towards you until you can hear 'crack' sound
4. Press the power button once to turn on the product and it will rotate in low speed. Press the power button once more to switch to high speed.

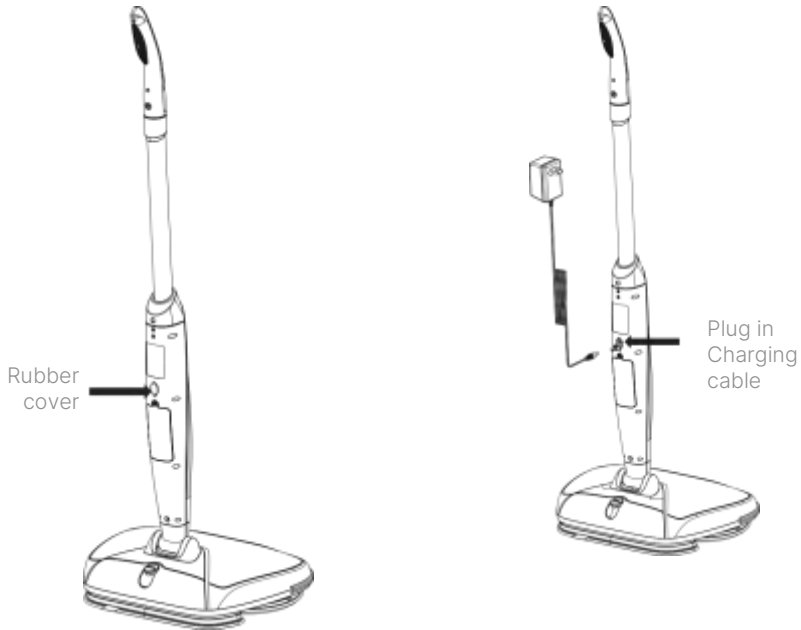


5. Press the water spray button to spray water on to the floor

How to Charge

If the discharge light is flashing slowly, the power is low and needs to be charged.

1. Switch off the product
2. Plug the charging adaptor to the power outlet
3. Open the charging port on the back of the product and plug in the cable
4. The discharge light will blink and the product will be charging
5. When the battery is full, all the battery indicator light will be turned on
6. Unplug the adaptor from the power outlet and unplug the cable from the product



WARNING!

1. Make sure that the charging adaptor including the wire is not damaged or broken
2. Please use the original adapter when charging
3. Please note that the charging port of the machine should not be exposed to water. Otherwise, it will cause product failure.
4. Do not charge or store the product in a place below 0°C or above 40°C, otherwise the product performance will be reduced.
5. It is a normal phenomenon that temperature of the charger rises during charging.

PART 4: MAINTENANCE

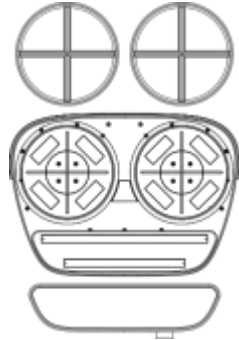
- When you need to clean and maintain this product, be sure to turn off the product and disconnect the power supply.
- Wipe gently with a clean soft cloth dampened with water or a mild detergent.
- Do not use a strong irritant lotion such as gasoline, alcohol or rubber water.

Removing and Cleaning the Mops

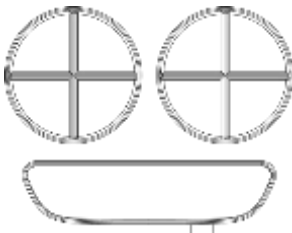
1. Put the product horizontally



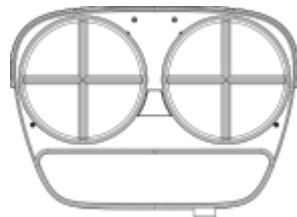
2. Pull the mops to take it off from the product



3. Wash the mops using detergent (it is suggested to use 40°C water)

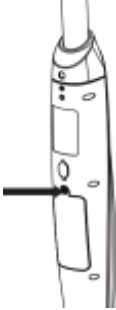


4. Reassemble the mops to the product



Changing the Battery

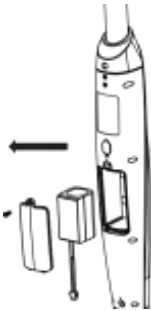
1. Open the battery cover with a screwdriver



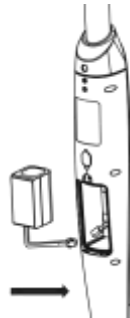
2. Take off the battery cover



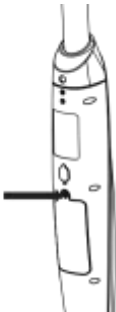
3. Unplug the battery connector from the main cable and take off the battery



4. Connect the new battery to the connector and put it inside



5. Install the cover



PART 5: TROUBLESHOOTING

Before contacting service center, check the following table:

Problem	Possible Cause	Recommended Action
Running time is short after full charging	Battery life problem	Please contact dealer for processing
Discharge light blinking	Low power	Recharge the product
All five lights are blinking during operation	Overload protection	Check the bottom of the product to see if it is stuck by debris. Clean it thoroughly and restart the product
Battery light number 1,2 and 3,4 is blinking	High temperature protection	Turn off the product and wait for 30 minutes to let it cool down. After that you can restart the product

PART 6: SPECIFICATION

Model	SM 3201 L
Color	Black
Power supply	220-240V~50/60 Hz
Battery	Li-ion 2000 mAh
Power Input (Watt)	Low 30; High 45
Spin speed (rpm)	Low 200±35; High 290±50
Charging time (hours)	2±0.5
Operating time (minutes)	40-45
Water tank capacity (mL)	160
Water spray speed (mL/min)	150
Product dimension W x D x H (mm)	400 x 280 x 1110
Product weight (kg)	3.9

S = Stainless, R = Red, C = Cream, O = Orange, N = Green, U = Blue, W = White, V = Silver, G = Grey, L = Black

Design and specification can change without prior notice to improve the quality of the product. The illustration in this manual is schematic and can be different with your actual product. The values on label or in other documents are according to laboratory test and relevant standards. Values can vary depending on the actual operational and environmental condition of the product.

Ciao! **MODENA**

www.modena.com

PT MODENA INDONESIA

Jl. Industri Raya I Blok D-8,
Jatiuwung, Tangerang 15135