

**MODENA**

# **User Manual Book (Multifunction Kitchen Sink)**

KS 3190 HTGM

## MODENA

Thank you for your trust in choosing MODENA products for your household needs. With your satisfaction as our priority, we constantly aim to deliver stylishly designed products equipped with state-of-the-art technology to assist you in your daily activities.

This is your guidebook containing everything you need to know about our product. Please reach out to us if you need further assistance or other information via our Customer Care or our official website [www.modena.com](http://www.modena.com).

# TABLE OF CONTENT

Part 1: Installation Instruction	4
Waterfall Faucet Installation	4
Product Dimension	4
Product Partlist	5
Cut Out Dimension	5
Installation Steps	6
Usage Instruction	8
Cup Washer Installation	9
Product Partlist	9
Installation Steps	10

This manual book explains everything you need to know about your new product. Please contact our Customer Care should you need further assistance through [www.modena.com](http://www.modena.com).

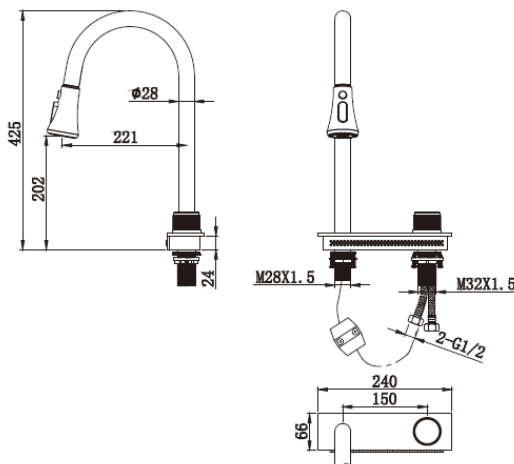
# PART 1: INSTALLATION INSTRUCTION

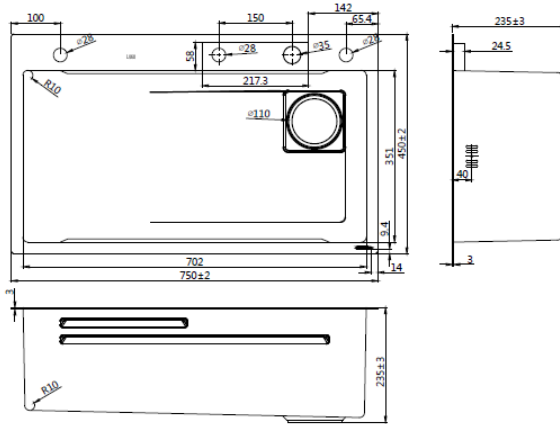
## Waterfall Faucet Installation

### NOTE

1. The main body of the faucet has been tested and adjusted during the production, please do not disassemble it by yourself
2. Before installing the faucet, be sure to remove the impurities and sludge in the embedded water pipe first, so as not to block the faucet and affect the water
3. After installing, please check whether the connections are tight and whether the pipes are leaking
4. If you are installing a new sink, you can install the faucet on the sink first
5. The maximum working pressure of the shower 0.5 MPa (5 bar). When the water pressure exceeds 0.5 MPa (5 bar) a pressure reducing valve must be installed. Maximum operating and ambient temperature of the shower is 60°C. Please pay special attention to keep the arm pipe connecting the shower head and the shower head away from the heater, otherwise the shower head and its seal may be damaged and injured the user.

## Product Dimension

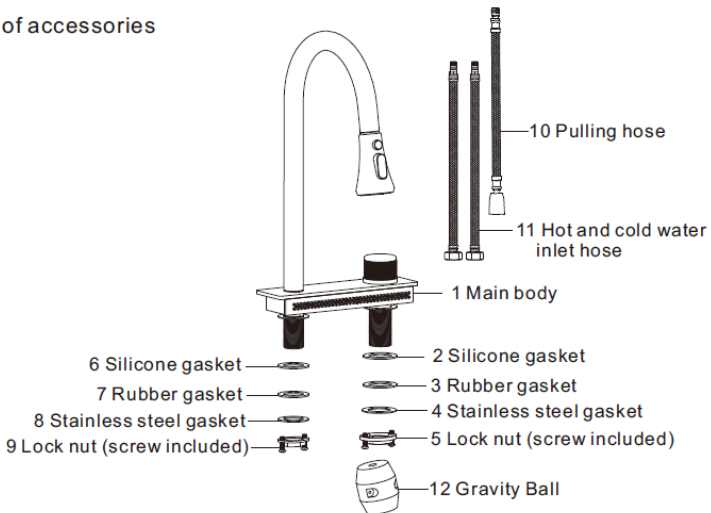




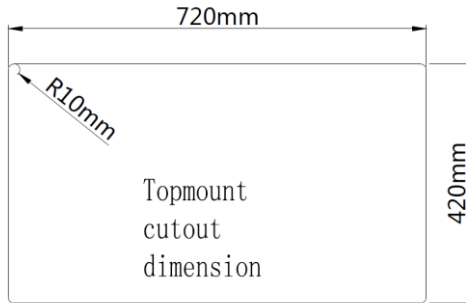
## Product Parts List

After opening the package of the faucet, please check the accessories to the form and the picture below. If there is any shortage, please contact us immediately.

### List of accessories

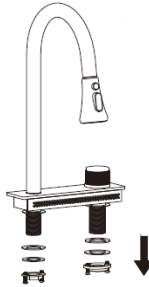


## Cut Out Dimensions

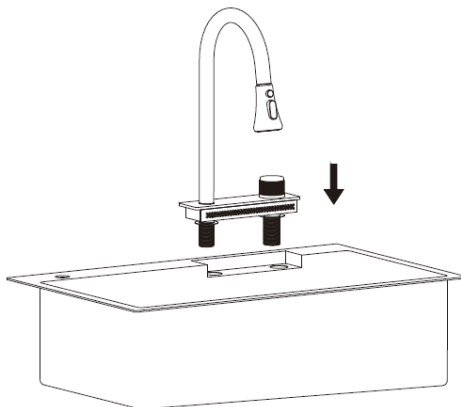


## Installation Steps

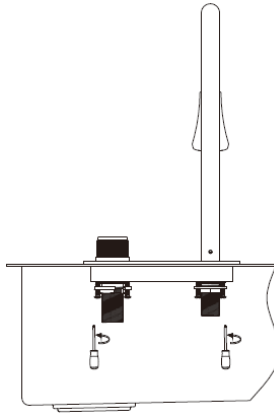
1. Unscrew the rubber gasket, stainless gasket, and lock nut



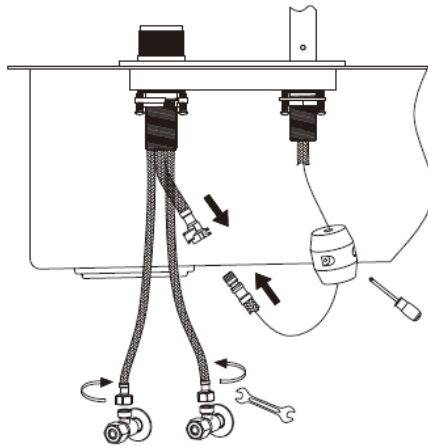
2. Put the faucet body into the sink's installation hole



3. Put the rubber gasket and stainless-steel gasket into the pipe teeth in turn, screw the lock nut into the pipe teeth, and then tighten the 4 screws with a screwdriver



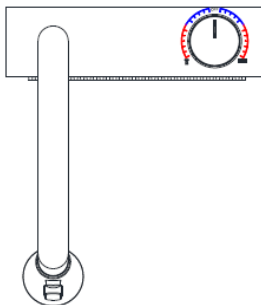
4. Red is for hot inlet and blue is for cold inlet water. Put and lock them with a wrench lock into the water outlet according to the hot and cold-water valve. Use screwdriver to install the gravity ball to the right position of the pull house.



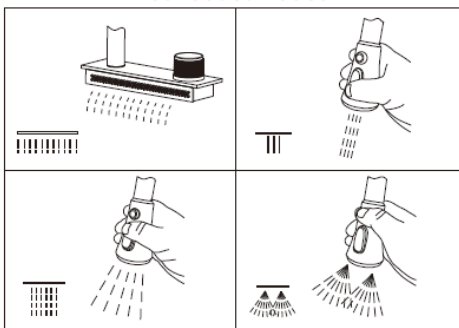
## Usage instruction

Handle switch, turn right for cold water-mixed water-hot water, return to the middle to turn off.

Turn the handle wheel to the left cold water-mixed-hot water, return to the middle to turn off.



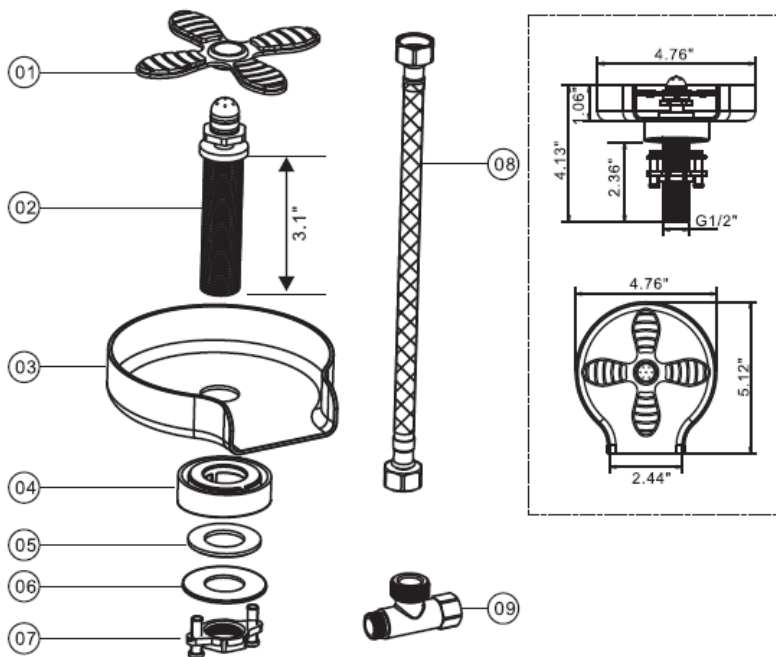
Four outlet modes





## Cup Washer Installation

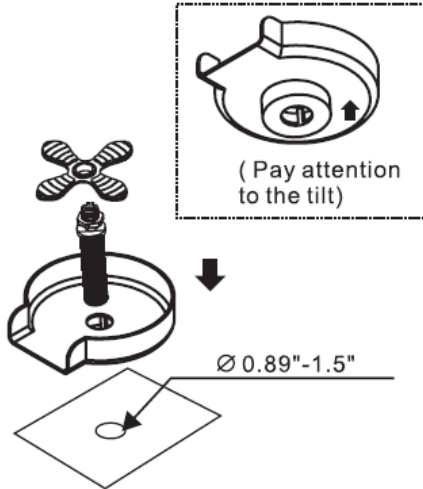
### Product Parts List



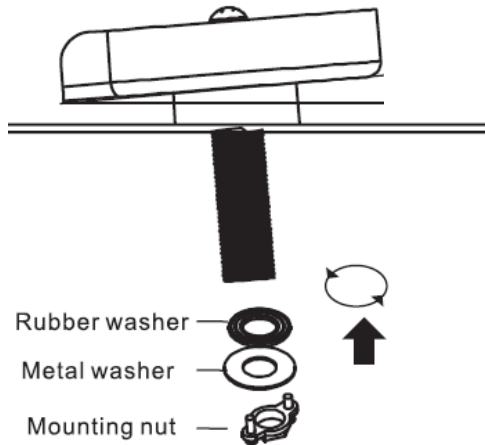
01	Glass Rinser bracket	1
02	Glass Rinser body	1
03	Glass Rinser base	1
04	Plastic base	1
05	Rubber washer	1
06	Metal washer	1
07	Mounting nut	1
08	Nylon braided hose(1/2"x23.6")	1
09	3-way Tee Connector Adapter(9/16"x1/2"x9/16")	1

## Installation Steps

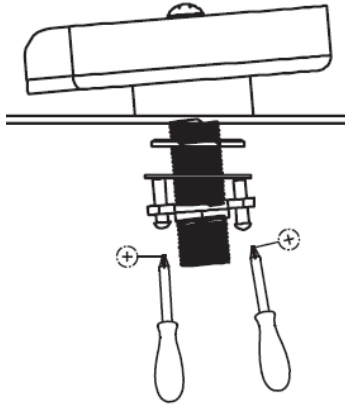
1. Stick the plastic base on the glass rinse base (the tilt is consistent with the water outlet). Put the base on the sink hole and insert the glass rinse body through the base and hole.



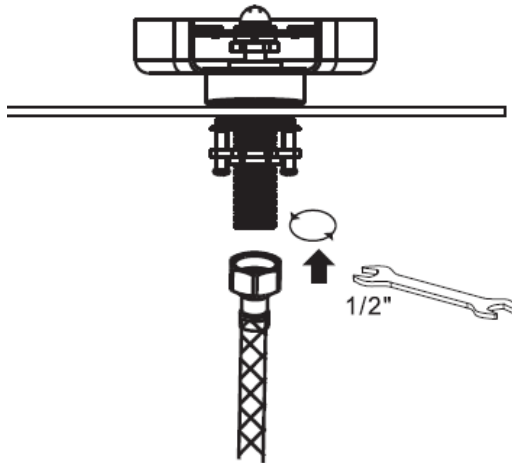
2. Put the rubber washer and metal washer on mounting nut as picture below



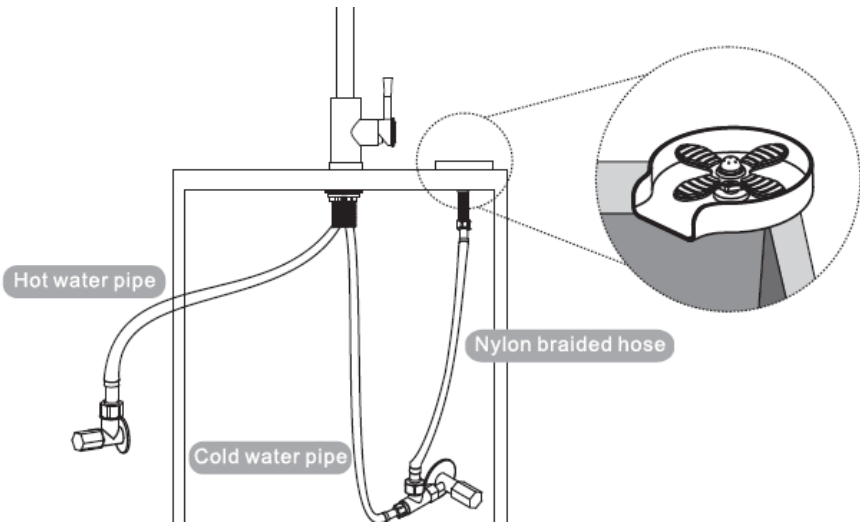
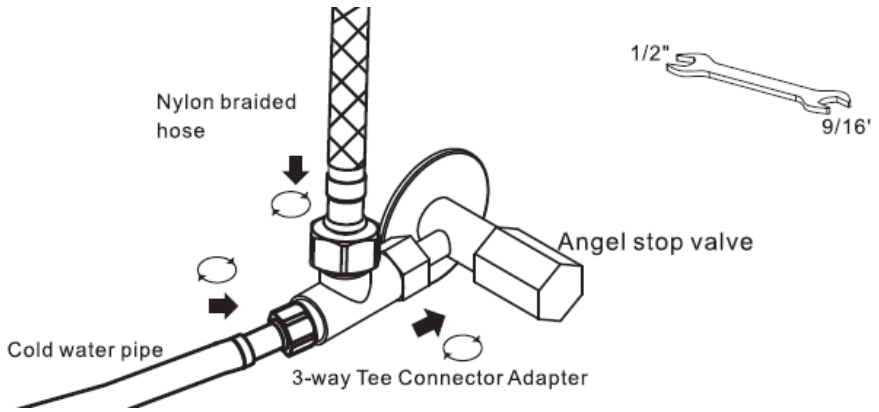
3. Screw the mounting nut onto the glass rinse body then screw the fastening nut with screwdriver



4. Screw the 1/2" end of provided supply nylon braided hose with wrench



- 5.1. Remove the existing cold water supply hose from angle stop valve.
- 5.2. Screw the provided 3-way Tee connector adapter onto angle stop valve with wrench.
- 5.3. Screw both faucet supply hose and the nylon braided hose to 3-way Tee connector adapter
- 5.4. Check the water testing and retighten mounting nut again





PT MODENA INDONESIA  
Jl. Industri Raya I Blok D-8,  
Jatiuwung, Tangerang 15135