

User Manual Book

Barbeque Burner

BB 1046G, BB 1066G



Thank you for your trust in choosing MODENA products for your household needs. With your satisfaction as our priority, we constantly aim to deliver stylishly designed products equipped with state-of-the-art technology to assist you in your daily activities.

This is your guidebook containing everything you need to know about our product. Please reach out to us if you need further assistance or other information via our Customer Care or our official website www.modena.com.

MODENA

CONTENTS		Page
INTRODUCTION		2
- Part 1	: Brief Introduction	4
- Part 2	: Specification	4
- Part 3	: How to Use	4
- Part 4	: Important Safety Information	5
- Part 5	: Cleaning & Maintenance	5

Part 1: Brief Information

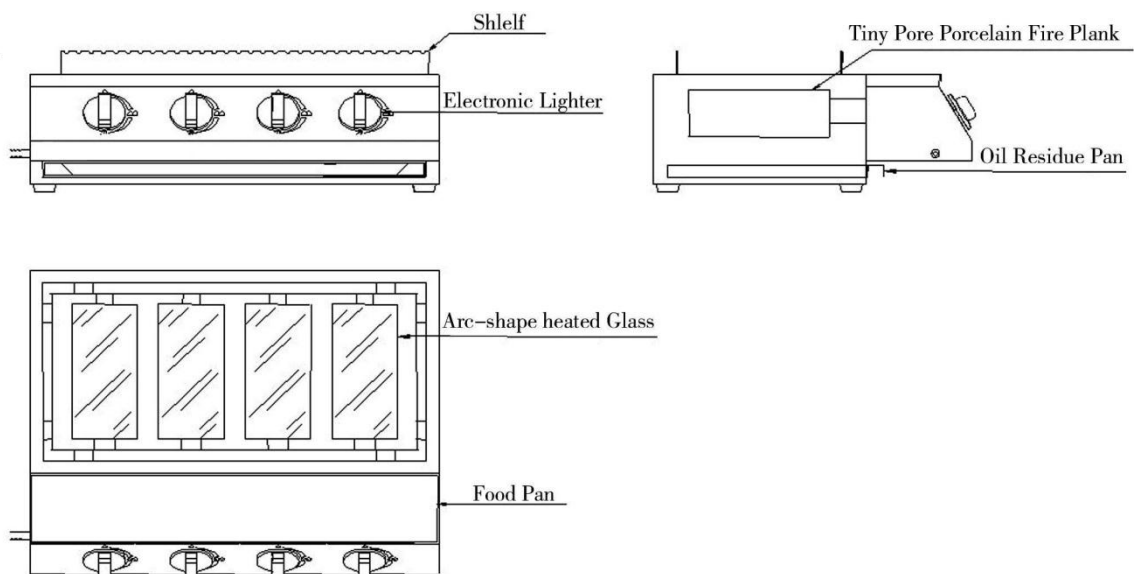
This appliance is part of the new and practical series – Gas Barbeque Burner. The appliance is applicable for various creation of roasted food, resulting the colour, aroma, flavor and freshness. The roasted meat will be delicate and hygiene. This appliance adopt the new tiny bore porcelain fire plank, with the arc-shaped heated glass to radiate infrared. The glass stove surface can be cleaned easily. The flame is ignited with electric lighter and can be adjusted easily. It is easy and simple to use. This appliance is nice looking and practical. It has a high efficiency and environmentally friendly. This appliance can be used at home, supermarket, and for business.

Part 2: Specification

Name	Type	Number of Control Switch	Size (mm)
Gas Barbeque Burner	BB 1046G	4	575*425*200
Gas Barbeque Burner	BB 1066G	6	800*425*200

Part 3: How to Use

1. Before operating, check for the gas pipe has connected the appliance and the gas cylinders and the connection is fine.
2. Pour water into the oil-residue basin and keep some water in it to avoid the drought.
3. Turn on the main gas valve, press the electronic lighter and turn it left, loose it when the fire is on, turn the fire switch to left or right to control the flame intensity.
4. After operating, shut down the fire switch and close the main gas valve.



Part 4: Important Safety Information

1. To prevent damage, handle with care when transporting. Do not put upside down, press heavily and bump too hard.
2. The appliance should use low- pressure valve, middle-pressure and high-pressure valve are prohibited.
3. When the gas leaks, shut down the main gas valve immediately, and ask the service station to mend it before use again.
4. When the gas leaked, shut down the main gas valve immediately, and call MODENA Call Center for any adjustment or maintenance.
5. When grilling, user should avoid the oil of the meat dropping down on the glass and stainless steel boards, or else may cause some oil fume.

Part 5: Cleaning & Maintenance

1. For your safety, shut down the fire switch before cleaning and maintaining.
2. When cleaning, the arc-shaped glass and the oil-residue dish can be removed to wash, and the surface of the appliance can be mopped by wet towel.
3. Use the steel needle to check whether the tiny bore porcelain fire plank is clogged.
4. Do not use water to wash the head of the appliance directly, it will effect the lifespan.

