

**MODENA**

**User  
Manual Book  
Microwave Oven**

MG 2517 WAM



# TABLE OF CONTENTS

PART 1: SAFETY WARNINGS.....	5
Important Safety Information .....	5
PART 2: NAME OF PARTS .....	8
MG 2517 WAM.....	8
Turntable Installation.....	9
PART 3: INSTALLATION .....	10
Points of Attentions .....	10
Built in Furniture .....	13
Preparing the Cabinet .....	13
Installing the Microwave Oven .....	14
PART 4: HOW TO USE .....	16
Clock Setting.....	16
Microwave Cooking.....	16
Grill or Combi. Cooking .....	17
Defrost by Weight.....	18
Defrost by Time .....	18
Multi-Stage Cooking.....	18
Kitchen Timer .....	19
Auto Menu .....	19
Speedy Cooking.....	20
Lock Function for Children.....	21
Inquiring Function .....	21
Specification.....	21
PART 5: MAINTENANCE .....	22
Cleaning the Microwave Oven .....	22
PART 6: TROUBLESHOOTING.....	24

Before You Call for Service.....	24
Troubleshooting.....	24
PART 7: PRECAUTION .....	26
To Avoid Excessive Microwave Exposure .....	26
Important Instructions for General Use .....	27
Utensils .....	28
Food .....	30
PART 8: SPECIFICATION .....	32

## PART 1: SAFETY WARNINGS

### Important Safety Information

When using electrical appliances, basic safety precautions should be followed, including the following:

#### **WARNING!**

To reduce the risk of burns, Electric shock, fire, injury to persons, or exposure to excessive microwave energy, follow the instructions in this manual.

- This appliance should be grounded. In the event of a short circuit, grounding reduces the risk of electric shock by providing a release cable for electric current. This unit is equipped with a cord that has a grounding wire with a grounding plug. The plug must be inserted into an outlet that is already grounded.

#### **WARNING!**

Incorrect use of the grounding plug can result in a risk of electric shock. Consult with a qualified electrician or service personnel if the grounding instructions are not completely understood, or if there is doubt as to whether the appliance is properly grounded. If it is necessary to use an extension cord, use only extension cords with grounding. Rating marks the extension cord must be equal to or greater than the electrical rating of the appliance.

To reduce the risk of fire, electric shock, injury to persons or exposure to excessive microwave oven energy when using your appliance, follow basic precautions, including the following:

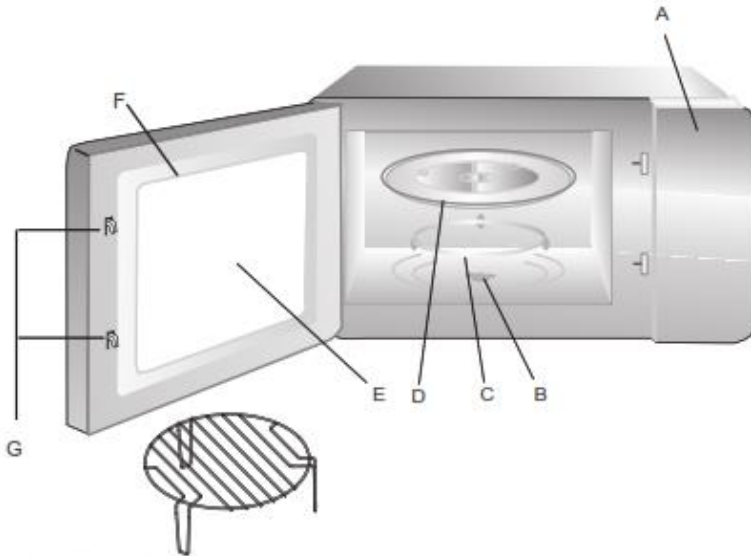
1. Warning: Liquids and other foods must not be heated in sealed containers since they are liable to explode.
2. Warning: It is hazardous for anyone other than a competent person to carry out any service or repair operation that involves the removal of a cover which gives protection against exposure to microwave energy.

3. This appliance can be used by children aged from 8 years and above and persons with reduced physical, sensory or mental capabilities or lack of experience and knowledge if they have been given supervision or instruction concerning use of the appliance in a safe way and understand the hazards involved. Children shall not play with the appliance. Cleaning and user maintenance shall not be made by children unless they are older than 8 and supervised.
4. Keep the appliance and its cord out of reach of children less than 8 years.
5. Only use utensils that are suitable for use in microwave
6. The oven should be cleaned regularly and any food deposits should be removed.
7. Read and follow the specific: "PRECAUTIONS TO AVOID POSSIBLE EXPOSURE TO EXCESSIVE MICROWAVE ENERGY".
8. When heating food in plastic or paper containers, keep an eye on the oven due to the possibility of ignition.
9. If smoke is emitted, switch off or unplug the appliance and keep the door closed in order to stifle any flames.
10. Do not overcook food.
11. Do not use the oven cavity for storage purposes. Do not store items, such as bread, cookies, etc. inside the oven.
12. Remove wire twist-ties and metal handles from paper or plastic containers/bags before placing them in the oven.
13. Install or locate this oven only in accordance with the installation instructions provided.
14. Eggs in the shell and whole hard-boiled eggs should not be heated in microwave ovens since they may explode, even after microwave heating has ended.
15. This appliance is intended to be used in household and similar applications such as: - staff kitchen areas in shops, offices and other working environments; - by clients in hotels, motels and other residential type environments; - farm houses; - bed and breakfast type environments.
16. If the supply cord is damaged, it must be replaced by the manufacturer, its service agent or similarly qualified persons in order to avoid a hazard.
17. Do not store or use this appliance outdoors.
18. Do not use this oven near water, in a wet basement or near a swimming pool.
19. The temperature of accessible surfaces may be high when the appliance is operating. The surfaces are liable to get hot during use. Keep cord away from heated surface, and do not cover any vents on the oven.
20. Do not let cord hang over edge of table or counter.

21. Failure to maintain the oven in a dean condition could lead to deterioration of the surface that could adversely affect the life of the appliance and possibly result in a hazardous situation.
22. The contents of feeding bottles and baby food jars shall be stirred or shaken and the temperature checked before consumption, in order to avoid bums.
23. Microwave heating of beverages can result in delayed eruptive boiling, therefore care must be taken when handling the container.
24. The appliance is not intended for use by persons (including children) with reduced physical, sensory or mental capabilities, or lack of experience and knowledge, unless they have been given supervision or instruction concerning use of the appliance by a person responsible for their safety.
25. Children should be supervised to ensure that they do not play with the appliance.
26. The appliances are not intended to be operated by means of an external timer or separate remote-control system.
27. Accessible parts may become hot during use. Young children should be kept away.
28. Steam cleaner is not to be used.
29. During use the appliance becomes hot. Care should be taken to avoid touching heating elements inside the oven.
30. Only use the temperature probe recommended for this oven(for ovens provided with a facility to use a surface, and do not cover any vents on the oven.
31. **WARNING:** The appliance and its accessible parts become hot during use. Care should be taken to avoid touching heating elements. Children less than 8 years of age shall be kept away unless continuously supervised.
32. The microwave oven must be operated with the decorative door open (for ovens with a decorative door.)
33. The rear surface of appliance shall be placed against a wall.
34. The microwave oven must not be placed in a cabinet.
35. The microwave oven is intended for heating food and beverages. Drying of food or clothing and heating of warming pads, slippers, sponges, damp cloth and similar may lead to risk of injury, ignition or fire.

## PART 2: NAME OF PARTS

MG 2517 WAM



Grill Rack( Can not be used in microwave function and must be placed on the glass tray )

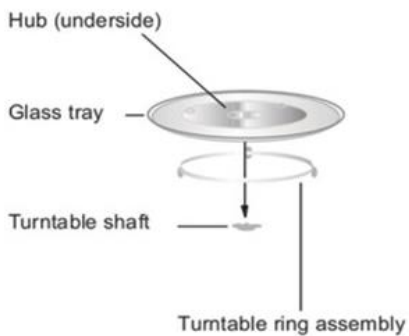
- |                            |                            |
|----------------------------|----------------------------|
| A. Control Panel           | E. Observation Window      |
| B. Turntable Shaft         | F. Door Assembly           |
| C. Turntable Ring Assembly | G. Safety Interlock System |
| D. Glass Tray              |                            |

### ATTENTION!

Please clean microwave oven oftenly. Failure to do so may create a fire hazard and void the warranty.



## Turntable Installation



- Never place the glass tray upside down. The glass tray should never be restricted.
- Both glass tray and turntable ring assembly must always be used during cooking
- All food and its containers are always placed on the glass tray on cooking process
- If glass tray or turntable ring assembly breaks or cracks, contact MODENA call center.

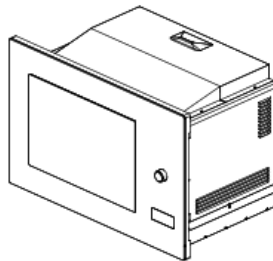
## PART 3: INSTALLATION

### Points of Attention

- Make sure all the packaging materials are removed from the inside of the oven.
- Inspect the oven after unpacking for any visual damage such as:
  - Misaligned Door
  - Damaged Door
  - Dents or Holes in Door Window and Screen
  - Dents in Cavity

If any of the above is visible, DO NOT use the oven.

- DO NOT remove the turn-table drive shaft.
- As with any appliance, close supervision is necessary when appliance is used by children.
- This appliance is only intended for domestic use.
- This oven is intended for built-in use only. It is not intended for counter-top use or for use inside a cupboard.
- Please observe the special installation instructions.
- The appliance can be installed in a 60cm wide wallmounted cupboard.
- The appliance is fitted with a plug and must only be connected to a properly installed earthed socket.
- The mains voltage must correspond to the voltage specified on the rating plate.
- The socket must be installed and connecting cable must only be replaced by a qualified electrician. If the plug is no longer accessible following installation, an all-pole disconnecting device must be present on the installation side with a contact gap of at least 3mm.
- Adapters, multi-way strips and extension leads must not be used. Overloading can result in a risk of fire.



## **ATTENTION!**

- The plug socket should be within easy reach of the power cord.
- Electric Shock Hazard
- Touching some of the internal components can cause serious personal injury or death. Do not disassemble this appliance.
- Electric Shock Hazard
- Improper use of the grounding can result in electric shock. Do not plug into an outlet until appliance is properly installed and grounded.
- Consult a qualified electrician or serviceman if the grounding instructions are not completely understood or if doubt exists as to whether the appliance is properly grounded. If it is necessary to use an extension cord, use only a 3-wire extension cord.
- A short power-supply cord is provided to reduce the risks resulting from becoming entangled in or tripping over a longer cord.
- If a long cord set or extension cord is used:
  - 1) The marked electrical rating of the cord set or extension cord should be at least as great as the electrical rating of the appliance.
  - 2) The extension cord must be grounding -type 3-wire cord
  - 3) The long cord should be arranged so that it will not drape over the counter top or tabletop where it can be pulled on by children or tripped over unintentionally.

## **CAUTION!**


This appliance must be grounded. In the event of an electrical short circuit, grounding reduces the risk of electric shock by providing an escape wire for the electric current. This appliance is equipped with a cord having a grounding wire with a grounding plug. The plug must be plugged into an outlet that is properly installed and grounded.

## **NOTE**

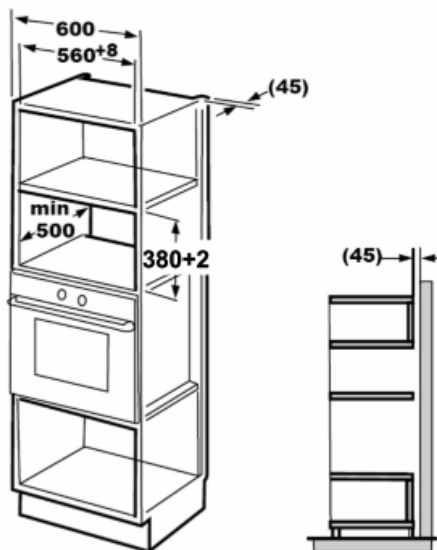
The wires in this mains lead are colored in accordance with the following code:

Green-and-yellow : Earth  
Blue : Neutral  
Brown : Live

As the colors of the wires in the mains leads of the appliance may not correspond with the colored markings identifying the terminals in your plug, proceed as follows:

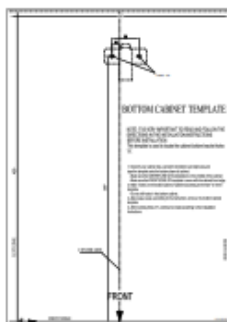
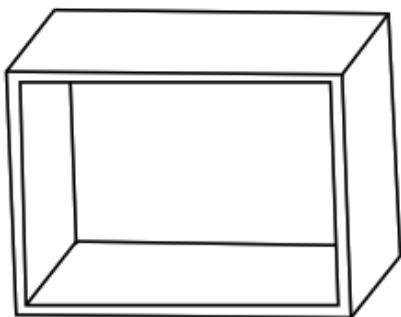
- The wire which is coloured green-and-yellow must be connected to the terminal in the plug, which is marked with the letter E or by the  earth symbol with green and yellow colour.
- The blue wire must be connected to the terminal marked with the letter N or the black one.
- The brown wire must be connected to the terminal marked with the letter L or red one.

## Built in Furniture

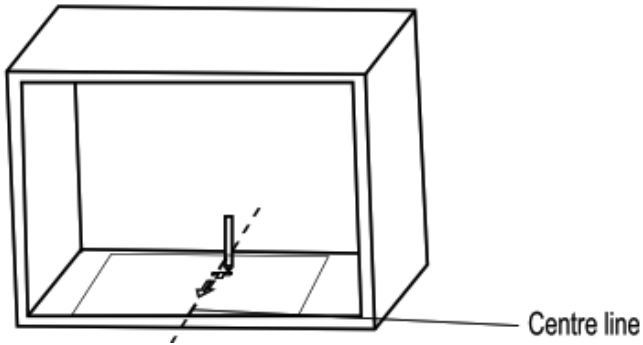


## Preparing the Cabinet

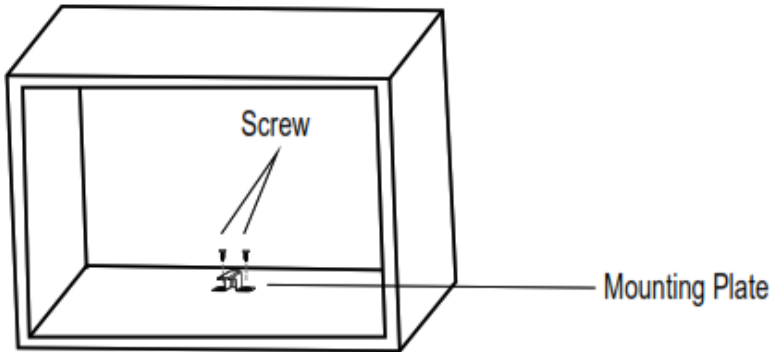
1. Read the instruction on the Bottom Cabinet Template. Put the template on the bottom plane of the cabinet.



2. Make the marks on the bottom plane of cabinet according to marks "a" of the template

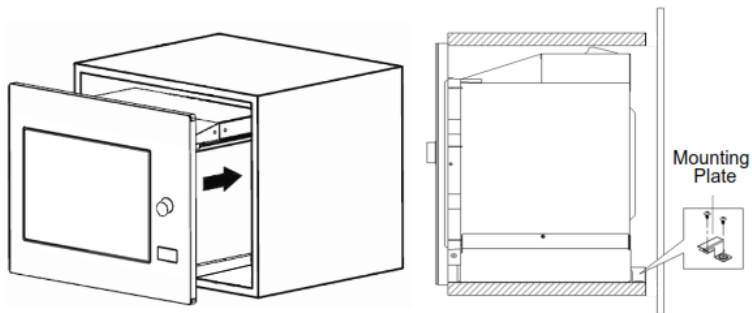


3. Remove the bottom cabinet template and fix the mounting plate with screw.

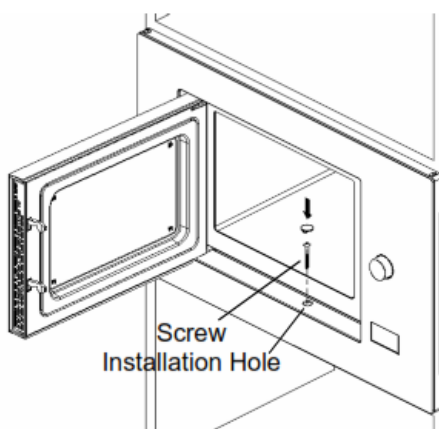


## Installing the Microwave Oven

4. Install the oven to the cabinet
  - Make sure the back of the oven is locked by a mounting plate
  - Do not trap or kink the power cord



5. Open the door, fix the oven to the cabinet with Screw , at the installation hole. Then fix the Trim-kit plastic cover to the installation hole.



## PART 4: HOW TO USE

### Clock Setting

When the microwave oven is electrified, the oven will display “0:00” and buzzer will ring once.

1. Press the “Kitchen Timer/Clock” twice, the hour figures will flash
2. Press “ $\wedge$  or  $\vee$ ” to adjust the hour figures. The input time should be within 0—23
3. Press “Kitchen Timer/Clock”, the minute figures will flash
4. Press “ $\wedge$  or  $\vee$ ” to adjust the minute figures. The input time should be within 0—59
5. Press “Kitchen Timer/Clock” to finish clock setting. “:” will flash and the clock setting has finished

### NOTE

1. If the clock is not set, the clock would not function when the appliance is powered
2. During the process of clock setting, if you press “STOP/Clear”, the oven will go back to the previous status automatically

### Microwave Cooking

1. Press the “Micro/Grill/Combi.” Key once, and “P100” will display
2. Press the “Micro/Grill/Combi.” For times or press “ $\wedge$  or  $\vee$ ” to select the microwave power from 100% to 10%. “P100”, “P80”, “P50”, “P30”, “P10” will display in order.
3. Press “Start/+30S/Confirm” to confirm
4. Press “ $\wedge$  or  $\vee$ ” to select the cooking time (the time setting should be 0:05 – 95:00)
5. Press “Start/+30s/Confirm” to start cooking



## NOTE

The step quantities for the adjustment time of the coding switch are as follow:

0 --- 1 min	: 5 seconds
1 --- 5 min	: 10 seconds
5 --- 10 min	: 30 seconds
10 --- 30 min	: 1 minute
30 --- 95 min	: 5 minutes

Microwave Power	100%	80%	50%	30%	10%
Display	P100	P80	P50	P30	P10

## Grill or Combi. Cooking

Press "Micro./Grill/Combi." Once the screen will display "P100", and press "Micro./Grill/Combi." For times or press "∧ or ∨" to choose the power you want, and "G" "C-1" or "C-2" will display. Then press "Start/+30s/Confirm" again to start cooking.

Example:

If you want to use 55% microwave power and 45% grill power(C-1) to cook for 10 minutes, you can operate the oven as the following steps.

1. Press "Micro./Grill/Combi." once, the screen will display "P100"
2. Continue to press "Micro./Grill/Combi." until the screen displays "C-1"
3. Press "Start/+30s/Confirm" to confirm
4. Press "∧ or ∨" to adjust the cooking time until the oven displays "10:00"
5. Press "Start/+30s/Confirm" to start cooking

Combination power instruction:

Program	Display	Microwave Power	Grill Power
Grill	G	0%	100%
Combi. 1	C-1	55%	45%
Combi. 2	C-2	36%	64%

### NOTE

If half the grill time passes, the oven sounds twice, and this is normal. In order to have a better effect of grilling food, you should turn the food over, close the door, and then press "Start/+30s/Confirm" to continue cooking. If no operation, the oven will continue cooking.

### Defrost by Weight

1. Press "Weight/Time Defrost" once, the screen will display "dEF1"
2. Press " $\wedge$  or  $\vee$ " to select the food weight. The range of weight is 100-2000g
3. Press "Start/+30S/Confirm" to start defrosting

### Defrost by Time

1. Press "Weight/Time Defrost" twice, the screen will display "dEF2"
2. Press " $\wedge$  or  $\vee$ " to select the cooking time. The maximum time is 95 minutes
3. Press "Start/+30S/Confirm" key to start defrosting

### Multi-Stage Cooking

Two stages can be maximumly set. If one stage is defrosting, it should be put in the first stage. The buzzer will ring once after each stage and the next stage will begin.  
Note: Auto menu cannot be set as one of the multi-stage.

Example:

If you want to defrost the food for 5 minutes, then cook with 80% microwave power for 7 minutes. The steps are as following:

1. Press "Weight/Time Defrost" twice, the screen will display "dEF2"
2. Press " $\wedge$  or  $\vee$ " to adjust the defrost time of 5 minutes
3. Press "Micro./Grill/Combi." once, screen will display "P100"
4. Press " $\wedge$  or  $\vee$ " to Choose microwave power till "P80" displays
5. Press "Start/+30S/Confirm" to confirm, screen will display "P80"
6. Press " $\wedge$  or  $\vee$ " to adjust the cooking time of 7 minutes
7. Press "Start/+30S/Confirm" to start cooking

## Kitchen Timer

1. Press "Kitchen Timer/Clock" once, screen will display 00:00
2. Press " $\wedge$  or  $\vee$ " to enter the correct timer (The maximum cooking time is 95 minutes)
3. Press "Start/+30S/Confirm" to confirm setting, timer indicator will light up
4. When the kitchen time is reached, timer indicator will go out. The buzzer will ring 5 times. If the clock has been set (24H system), the screen will display the current time.

Note: The kitchen Time is different from 24-hour system. Kitchen Timer is a timer.

## Auto Menu

1. In waiting state, press " $\wedge$ " to choose the menu from "A-1" to "A-8"
2. Press "Start/+30S/Confirm" to confirm the menu you choose
3. Press " $\wedge$  or  $\vee$ " to choose the food weight
4. Press "Start/+30S/Confirm" to start cooking
5. After cooking is finished, the buzzer sounds five times. The screen will display "0:00". But if the time has been set, it will display current time.

The menu chart:


Menu	Weight	Display
A-1 Pizza	200g	200
	400g	400
A-2 Meat	250g	250
	350g	350
	450g	450
A-3 Vegetable	200g	200
	300g	300
	400g	400
A-4 Pasta	50g (with 450ml cold water)	50
	100g (with 800ml cold water)	100
A-5 Potato	200g	200
	400g	400
	600g	600
A-6 Fish	250g	250
	350g	350
	450g	450
A-7 Beverage	1 cup (120ml)	1
	2 cups (240ml)	2
	3 cups (360ml)	3
A-8 Popcorn	50g	50
	100g	100

## Speedy Cooking

1. In waiting state, press “Start/+30S/Confirm” key to cook with 100% power level for 30 seconds. Each press on the same key can increase 30 seconds. The maximum cooking time is 95 minutes
2. During the microwave grill, combination cooking and the defrost by time process, press “Start/+30S/Confirm” to increase the cooking time
3. In waiting state, press “√” to set cooking time with 100% microwave power, then press “Start/+30S/Confirm” to start cooking

Note: Under the states of auto menu and defrost by weight, cooking time cannot be increased by pressing “Start/+30S/Confirm”

## Lock Function for Children

Lock: In waiting state, press “Stop/Clear” for 3 seconds, there will be a long beep denoting entering the children-lock state and the current time will display if the time has been set, otherwise, the screen will display “”.

Lock Quitting: In locked state, press “Stop/Clear” for 3 seconds, there will be a long beep denoting that the lock is released.

## Inquiring Function

1. In cooking states of microwave, grill, and combination, press “Micro./Grill/Combi” then the current power will be displayed for 2-3 seconds
2. During cooking state, press “Kitchen Timer/Clock” to check the current time, then it will be displayed for 2-3 seconds

## Specification

1. “Start/+30S/Confirm” must be pressed to continue cooking if the door is opened during cooking
2. Once the cooking program has been set, “Start/+30S/Confirm” is not pressed in one minute, the current time will be displayed and the settings will be cancelled
3. The buzzer sounds once by efficient press, inefficient press will lead to a no response

## PART 5: MAINTENANCE

- Before cleaning, turn off the microwave oven and remove the plug from its socket.
- Keep the microwave oven clean. If food falls or spilled liquid sticks to the wall of the microwave, wipe with a damp cloth. It is not recommended to use detergents and brushes.
- The outer surface of the microwave oven should be cleaned with a damp cloth. To prevent damage to parts inside the microwave oven, do not let water enter ventilation openings.
- Do not allow the control panel to be wet. Clean with a soft cloth. Do not use detergent, abrasive cleaners or cleaning agents for the control panel.
- If steam is collected inside or outside around the door, wipe with a soft cloth. This may occur when the microwave oven is operated under conditions of high humidity and do not cause errors / malfunctions.
- Sometimes it is important to move the spinning plate to be cleaned. Clean with warm foamy water or dishwasher.
- Roller ring and the base cabinet of the microwave oven must be cleaned regularly to prevent excessive noise. Clean the bottom surface of the stove microwave with mild detergent, water, glass cleaner and dry cloth. Roller rings should be washed with foamy water or dishwasher. Collected steam when cooking during repeated use but does not affect the surface of the wheel base or roller ring. When moving the roller ring from cabinet base for cleaning purposes, be sure to put them back in the correct position.
- Eliminate odors in the microwave oven by mixing one cup of water with lemon juice and peel of the fruit in a bowl into microwave oven. Operate the microwave oven for 5 minutes, wipe and dry with a soft cloth.
- If you need to change the microwave oven lamp, contact MODENA Customer Care.

### Cleaning the Microwave Oven

Be sure to unplug the appliance from the power supply.

1. Clean the cavity of the oven after using with a slightly damp cloth.
2. Clean the accessories in the usual way in soapy water.
3. The door frame and seal and neighbouring parts must be cleaned carefully with a damp cloth when they are dirty.

4. Do not use harsh abrasive cleaners or sharp metal scrapers to clean the oven door glass since they can scratch the surface, which may result in shattering of the glass.
5. Cleaning Tip - For easier cleaning of the cavity walls that the food cooked can touch: Place half a lemon in a bowl, add 300ml (1/2 pint) water and heat on 100% microwave power for 10 minutes. Wipe the oven clean using a soft, dry cloth.

## PART 6: TROUBLESHOOTING

### Before You Call for Service

Refer to the following checklist before you call for service. If the oven does not work:

1. Check that the power cord is securely plugged in.
2. Check that the door is firmly closed.
3. Check that the cooking time is set.
4. Check for a blown circuit fuse or tripped main circuit breaker in your house.
5. Check that the Child Lock feature is not activated.

If there is sparking in the cavity:

Check the containers, dishes or utensils in the oven and make sure they are not metal or have metal trim.

### Troubleshooting

Normal	
Microwave oven interfering TV reception	Radio and TV reception may be interfered when microwave oven is operating. It is similar to the interference of small electrical appliances, like mixer, vacuum cleaner, and electric fan. It is normal.
Dim oven light	In low power microwave cooking, oven light may become dim. It is normal.
Steam accumulating on door, hot air out of vents	In cooking, steam may come out of food. Most will get out through vents. But some may be accumulating on cool place like oven door. It is normal.
Oven started accidentally with no food inside	It is forbidden to run the oven without having any foods inside. It is very dangerous.



Trouble	Possible Cause	Action
Oven cannot be started	Power cord not plugged in tightly	Unplug. Then plug again in 10 seconds
	Fuse blowing or circuit breaker works	Replace fuse or reset circuit breaker (repaired by professional personnel of our company)
	Trouble with outlet	Test outlet with other appliances
Oven does not heat	Door not closed well	Close the door well

## NOTE

According to Waste of Electrical and Electronic Equipment (WEEE) directive, WEEE should be separately collected and treated. If at any time in future, you need to dispose of this product please do NOT dispose of this product with household waste. Please send this product to WEEE collecting points where available.



## PART 7: PRECAUTION

Basic preventive measures you should always look for when you're using microwave oven are:

- Read the instructions carefully before operating.
- Ensure that the voltage indicated on the back of the unit is in accordance with the voltage in your home before you connect the device to a power source.
- Remove the plug from the socket before you insert and remove accessories and before you clean the microwave oven. Always remove the plug from the socket when you have finished using it or if it is not being used.
- Do not operate the microwave oven if the power cord or plug is damaged, not working properly, the microwave oven is dropped or damaged for any reason. Bring to MODENA Service Center for examination and testing, setting back electrical or mechanical function and repair as necessary.
- To prevent the risk of electrical shock, do not put / dip power cord or plug in water or other liquids.
- Always clean the microwave oven after use and do not immerse in water.
- The use of equipment / tools not recommended and supplied by the manufacturer may cause fire, can be raises a risk of electric shock / short circuit and damage to the furnace microwave (microwave oven) you.
- Do not use the microwave oven in open space.
- Do not let the power cord hanging or nestled away on a side table or touch hot surfaces, including stove and etc.

### To Avoid Excessive Microwave Exposure

- Do not attempt to operate this oven with the door open, as long as the door is open, the process can result in harmful exposure to microwave energy. It is important not to impede or tamper with the safety interlocks section.
- Do not place any object between the oven front and the door or allow dust or residual cleanser accumulate on sealing surfaces / seals.
- Do not operate the oven if it is damaged. It is very important that the oven door closes properly and that there is no damage to the:
  - 1) door (bent);
  - 2) hinges and latches (broken or loosened); and
  - 3) door seals and sealing surfaces.

The oven must be adjusted or repaired by MODENA qualified service personnel.

## Important Instructions for General Use

List below, as well as the means - other electronic devices, has rules to be obeyed as safeguards to ensure the functionality of this oven :

- Make sure the plate, roller ring and plate roller are present when using the microwave oven.
- Never use the microwave oven for anything other than food preparation, such as drying clothes, paper or non-food items or for the purpose of sterilization.
- Prohibited operation of the microwave oven when empty, it can cause damage to the microwave oven.
- If a fire occurs in the oven, touch the **Cancel/Stop** button and leave the door closed. Disconnect the power cord, or shut off power at the fuse or circuit breaker panel.
- Do NOT attempt to dry clothes, newspapers or other materials in the oven. They may catch on fire.
- Do NOT use recycled paper products. Recycled paper towels, napkins and waxed paper can contain metal flecks which may cause arcing or ignite. Paper products containing nylon or nylon filaments should be avoided, as they may ignite.
- Some Styrofoam trays (like those that meat is packaged in) have a thin strip of metal embedded on the bottom. When microwaved, the metal can burn the floor of the oven or ignite a paper towel.
- Avoid inserting nails, wire, etc. through any holes in the unit during operation. Never insert a wire, nail or any other metal objects through the holes on the cavity or any other holes or gaps, because such objects may cause electric shock and microwave leakage.
- Never use the microwave oven for storage such as paper, cookbooks, and others.
- Prohibited to use microwave to cook webbed food like egg yolks, potatoes, chicken livers and others without being cut first.
- Prohibited to remove / move the parts of the oven, tamper with or make any adjustments or repairs to the door, control panel or any other part of the oven. Repairs should only be performed by MODENA qualified service personnel.
- The microwave oven can only be used in accordance with instructions from the manufacture.
- Prohibited to try to fry food in the microwave oven.
- Please note that the microwave oven only heats the liquid in the container, not the container. Therefore, even if the container is not hot to the touch when removing it from the microwave oven, but the food or liquid in it stays hot

- Always test the temperature of the cooked food especially for baby food. It is recommended to not directly consume food/drink directly but let sit first for a few minutes so that the heat can be spread evenly.
- Food containing oil and water should be allowed to stand for 30-60 seconds in the microwave oven after it is turned off. This is to allow mixing and to prevent bubbling when a spoon is placed into the food or drink or when adding broth into it.
- When preparing or cooking food / drinks, please keep in mind there are several kinds of foods such as pudding, jam, minced meat that heats easily. If you are heating greasy or sugary food, avoid using plastic container.
- Cooking tools might feel hot because the heat transfers from the food.
- Keep away electronic equipment such as TVs, radios, etc. with the microwave to prevent interference or disruption.
- Tools prohibited for microwave oven:
  - Metal pans or dishes with metal handles.
  - Prohibited to wrap the food with plastic.
  - Prohibited use of melamine plates, because these materials contain ingredients that can absorb energy from the microwave oven and can cause rupture of the plate and slow cooking process.

## Utensils

- It is forbidden to cook food directly on the plate. Place the food on the correct utensil before inserting them into the microwave oven.
- Metal containers or dishes with metal trim should not be used. Sparks may occur
- "Twist-ties" metal can not be used in a microwave oven.
- Never use the sealed bottle or bottle with a narrow neck to cook or heat up as it could break.
- Do not use conventional thermometers in the microwave oven because it can cause sparks.
- Remove the plastic wrap before cooking or thawing food in the oven.
- Prohibited tools to use in microwave oven:
  - Metal pans or dishes with metal handles.
  - Tools with metal accessories.
  - No food with plastic wrap.
  - No use of melamine plates because these materials contain ingredients that can absorb energy from the microwave and can cause rupture of the plate and slow down the cooking process.

- See the instruction on “Materials you can use in microwave oven or to be avoided in microwave oven.” There may be certain non-metallic utensils that are not safe to use in microwave. If in doubt, you can test the utensil in question by following the procedure below:
  1. Fill a microwave-safe container with 1 cup of cold water (250ml) along with the utensil in question.
  2. Cook on maximum power for 1 minute.
  3. Carefully feel the utensil. If the empty utensil is warm, do not use it for microwave cooking.
  4. Do not exceed 1 minute cooking time.
- Materials you can use in microwave oven

Utensils	Remarks
Browning Dish	Follow manufacturer’s instructions. The bottom of browning dish must be at least 3/16 inch (5mm) above the turntable. Incorrect usage may cause the turntable to break.
Dinnerware	Microwave-safe only. Follow manufacturer's instructions. Do not use cracked or chipped dishes.
Glass jars	Always remove lid. Use only to heat food until just warm. Most glass jars are not heat resistant and may break.
Glassware	Heat-resistant oven glassware only. Make sure there is no metallic trim. Do not use cracked or chipped dishes.
Oven cooking bags	Follow manufacturer’s instructions. Do not close with metal tie. Make slits to allow steam to escape.
Paper plates and cups	Use for short-term cooking/warming only. Do not leave oven unattended while cooking.
Paper towels	Use to cover food for reheating and absorbing fat. Use with supervision for a short-term cooking only.
Parchment paper	Use as a cover to prevent splattering or a wrap for steaming.
Plastic	Microwave-safe only. Follow the manufacturer’s instructions. Should be labeled "Microwave Safe". Some plastic containers soften, as the food inside gets hot. "Boiling bags" and tightly closed plastic bags should be slit, pierced, or vented as directed by package.

Plastic wrap	Microwave-safe only. Use to cover food during cooking to retain moisture. Do not allow plastic wrap to touch food.
Thermometers	Microwave-safe only (meat and candy thermometers).
Wax paper	Use as a cover to prevent splattering and retain moisture.

- Materials to be avoided in microwave oven

Utensils	Remarks
Aluminum tray	May cause arcing. Transfer food into microwave-safe dish
Food carton with metal handle	May cause arcing. Transfer food into microwave-safe dish
Metal or metal-trimmed utensils	Metal shields the food from microwave energy. Metal trim may cause arcing
Metal twist ties	May cause arcing and could cause fire in the oven
Paper bags	May cause fire in the oven
Plastic foam	Plastic foam may melt or contaminate the liquid inside when exposed to a high temperature
Wood	Wood will dry out when used in the microwave oven and may split or crack

## Food

- Do not use a microwave oven to prepare canned food (with tin). Because canned food can be harmful and dangerous for consumption.
- The cooking times given in the cookbook are approximated. Several factors may affect the length of cooking time, ranging temperature, volume, size and shape of food and equipment used. When you are accustomed to using the oven, you will be familiar and able to adjust these factors.
- It is better for the food to be undercooked than overcooked. If the food is undercooked, it can always be returned to the oven to be cooked further. If the food is overcooked, nothing can be done anymore. Always start with minimum cooking time.
- The food in small quantities or low humidity levels can burn, dry, if cooked too long.

- Do not boil an egg in its shell. Pressure can accumulate inside the shell and the egg may explode.
- Potatoes, apples, egg yolks, whole acorn squash and sausage are some examples of foods with non-porous skin. The skin should be pierced / perforated before cooking to prevent bursting.
- Popcorn only be processed using a special microwave. Do not use oil unless specified by the manufacturer, or heat for longer than recommended. Never heat the popcorn in a paper bag or glass equipment or directly on the glass tray.
- Do not fry the fat in the microwave. Do not use paper towels to cover food because it may burn.
- The heated liquid can overflow if not mixed or without stirring first.

## PART 8: SPECIFICATION

MODEL	MG 2517 WAM
Type	Microwave Oven + Grill
Installation Method	Built In
Oven Capacity (liter)	25
Number of Power Levels	5
Grill	Yes
Cabinet color	White
Cavity color	Stainless Steel
Door cover color	White
Timer	Yes
Control	Touch Control
Oven Lamp	Yes
Child Lock	Yes
Program Defrosting	Yes
Power Output Microwave (Watt)	900
Power Output Grill (Watt)	1000
Power Input Maximum (Watt)	1450
Dimension (L x W x H) mm	595 x 401 x 388
Weight (kg)	19.5



