

User Manual Book

Wall Chimney Hood

CX 6150

CX 9150

Table of Contents

Part 1: Important Safety Information	3
Electrical Shock Hazards	3
Part 2: Name Of Parts	5
Part 3: Installation	6
Preparations Of Installation	6
Installing The Hood On Wall	6
Creating Holes On The Wall And Methods For Installing Bracket	7
Installing The Hood Body	8
Work Method	8
Recirculating System	9
Part 4: How To Use	10
Push Button	10
Part 5: Maintenance	11
Cleaning The Cabinet:	11
Cleaning The Filter:	11
Aluminum Filter	11
Carbon Filter	12
Cleaning Oil Container	12
Changing The Light Bulb	13
Part 6: Troubleshooting	14
Part 7: Precaution	15
Part 8: Specification	16

PART 1: IMPORTANT SAFETY INFORMATION

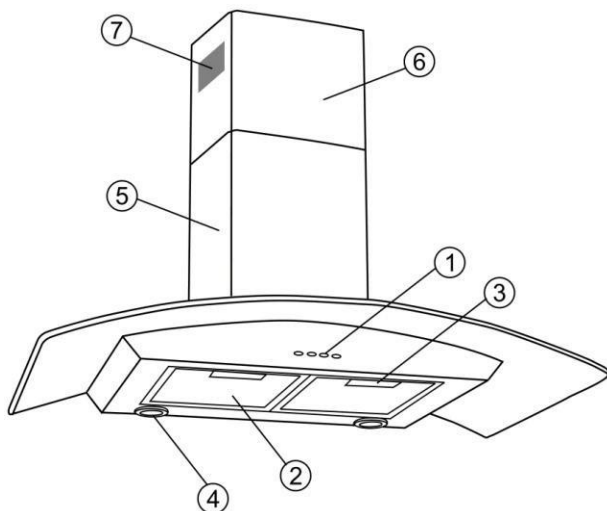
- Do not allow children to operate the unit.
- This exhaust hood is designed for home use only, not suitable for the environmental condition, bake shop, barbecue, and other commercial purposes.
- The exhaust hood should be cleaned periodically so that its power is maintained.
- Clean the exhaust hood according to the instructions contained in this book and keeps it away from the danger of being burnt.
- No direct grilling on a gas stove.
- Keep your kitchen remains good circulation.
- Before connecting the unit to a power source, make sure the power cord is in good shape. If there is damage to the power cord, the replacement must be performed by qualified personnel or contact the MODENA Service Center for replacement process.
- The room should have good ventilation during the use of exhaust hood on gas stoves or other fuels.
- The exhaust hood waste pipe should be separated with an air-duct.
- Regulations regarding the air exhaust must be met.
- The unit is not intended to be used by persons (including children) with a physical, sensory, or mental disability, or lack of experience and knowledge unless they have been given supervision or instructions concerning the use of the appliance by the person who is responsible for their safety.
- Children should be supervised to ensure that they are not playing with the unit.
- Do not strike a fire under the sucker of the exhaust hood.
- The exhaust hood is not aimed to be installed on top of the stove that had more than four burners.
- CAUTION: Accessible parts may become hot when used with cooking appliances.

Electrical Shock Hazards

- Connect the unit only to a grounded power socket correctly. If you are in doubt, ask advice from an experienced technician who is suitably qualified.

- The failure to follow these instructions may cause electric shock, fire, or other hazards that are fatal.

PART 2: NAME OF PARTS



* The image is a general overview and is not necessarily the same as the product you receive.

* Features and other attributes are depending on the type of products

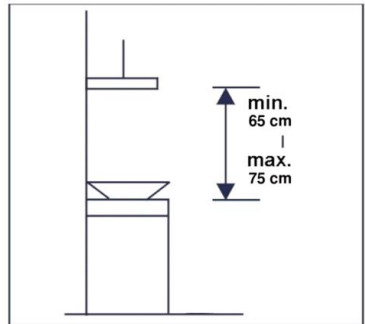
1. Control Panel
2. Cassette Aluminum Filter
3. Cassette Aluminum Filter Handle
4. Lamp
5. Main Chimney
6. Upper Connector Chimney
7. Circulation Hole

PART 3: INSTALLATION

Preparations Of Installation

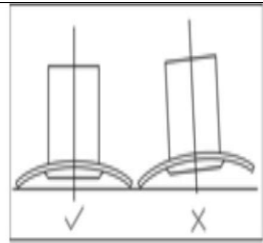
The exhaust hood is equipment which vacuums the smoke and odor produced in cooking process. With an exhaust hood, your kitchen will be free from oil particles which produces bad odor.

1. Check the strength of wall on which the hood is to be installed. Make sure the wall can sustain the weight / load of the hood.
2. The hood should be installed precisely over the stove at a vertical distance of 65 - 75 cm from the stove surface.

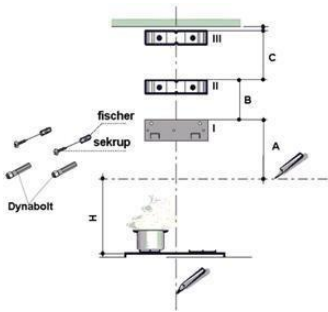


Installing The Hood On Wall

The hood must be installed in an upright position to prevent the oil from flowing to one side and dripping out of the exhaust hood.



Creating holes on the wall and methods for installing bracket



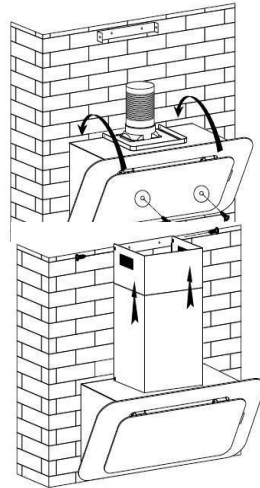
Model	A (cm)	B (cm)	C (cm)
CX 6150	34.5	20.5	49
CX 9150	34.5	20.5	49

NOTES:

- Height / distance are 65 – 75 cm, except for CX 9753 type where the height / distance is 35 – 40 cm.
- Height / Distance C can be shortened in accordance to the ceiling height.
- Make a vertical line on the wall to its highest point or to an appropriate height on the center part of the area where the vent hood is to be installed.
- Make a horizontal line at H (cm) distance from the stove to mark the lowest limit for the hood.
- Install bracket I on the wall just like on the picture above up to height A and mark the holes for dynabolt and Fischer. Especially for CX 9753, attach the unit on the wall up to height A and mark the holes for dynabolt/fischer/screw.
- Install bracket II on the wall just like on the picture above up to height B and mark the holes for fischer hole.
- Install bracket III on the wall just like on the picture above up to height C and mark the holes for fischer hole.
- Drill the wall with a \varnothing 10 mm for dynabolt and \varnothing 8 mm for fischer in all marked sections.
- Insert the dynabolt and fishcer into the hole.
- Install all brackets using nut for dynabolt and screw for the available fishcer.

Installing The Hood Body

- Install hood's body on the bracket I on the wall, or on the screw head .
- Connect the exhaust system with the spigot / flange if the exhaust hood will be operated in a ducting / exhaust system.
- Install the main chimney and the upper chimney on brackets I and II with the screws that already provided.



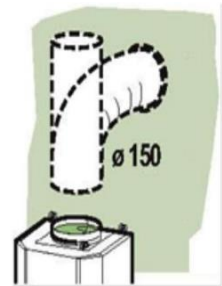
Work Method

MODENA exhaust hood has 2 principle of work:

DUCTING SYSTEM:

In this mode, the hood operates by sucking the smoke / odor in the cooking process and then releasing it out of the vent through the exhaust system.

To connect the hood with the duct system, use "spigot/flange" which are designed with a diameter of 150 mm.



Several things which require attention in installing the ducting system exhaust hood:

1. Carbon filter must be removed. Only use the aluminum filter.
2. If the hood is installed in a multi-storied building or an apartment, consult with the person in charge of the building / apartment prior to installing the exhaust system.
3. Hood with ducting system should be used in an open-air room with good air circulation.

Recirculating System

In this version, the vent hood sucks the smoke / cooking odor and filters it through an aluminum filter and carbon filter. The filtered smoke is then reticulated into the room. This system is used if the premise renders it impossible to install a ducting system

Several things which must be ensured when installing a vent hood with reticulating system:

1. Both carbon filter and aluminum filter must be used.
2. The position of both filters must be precise.
3. Circulation holes on the exhaust hood are not allowed to be closed

PART 4: HOW TO USE

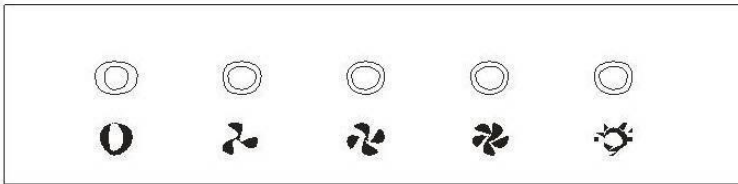
Connect the power cord with a power socket.

Slide or press the motor speed button to turn the hood on or off as shown in the following image.

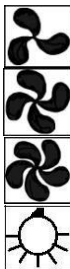
NOTES:

Adjust the motor speed of the exhaust hood according to the thickness of smoke / steam generated in the cooking process.

Push Button



OFF / 0



- : To switch off the Hood
- : Activate Motor at Low Speed
- : Activate Motor at Medium Speed
- : Activate Motor at High Speed
- : To Turn On/Off the Light

PART 5: MAINTENANCE

MODENA exhaust hood specifically designed for a long term use so that it does not require complicated maintenance. However, there are some things that are recommended to take care of your exhaust hood so that the quality is maintained.

Turn the unit off and unplug the power cord from the electrical source before cleaning

Cleaning the Cabinet:

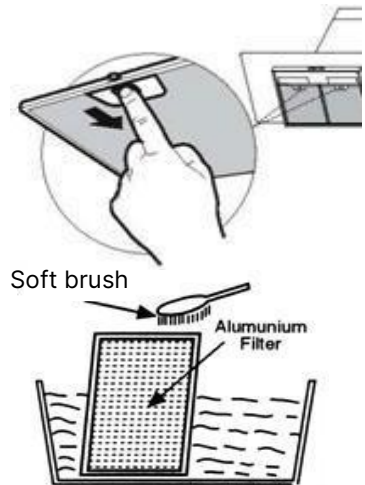
To clean the surface of exhaust hood cabinet from sticky oil particles, use a cloth / sponge and soap water and then dry it out. The cabinet should be cleaned after each cooking session.

Cleaning the Filter:

Smoke / steam from cooking and oil particles generated by the cooking process will immediately absorbed by the filter and therefore the filter should be cleaned regularly

Aluminum Filter

- For routine usage, clean the aluminum filter once every 10 – 15 days by soaking the filter in a container filled with soap water for 1 hour (look at image) and use a soft brush to scrub it and then dry the filter thoroughly before placing it back to its proper position.
- Aluminum filter can be cleaned using a dishwasher.
- Avoid bending the filter when you wash it.



Carbon Filter

Carbon filter must be replaced with a new one at least once every 4 months or when the carbon filter is no longer capable to absorb the cooking odor.

- Remove the aluminum filter first.
- Remove the carbon filter by pulling the hook (for square-shaped filter) or rotating it (for round – shaped filter).
- Install the new carbon filter.
- Reinstall the aluminum filter.



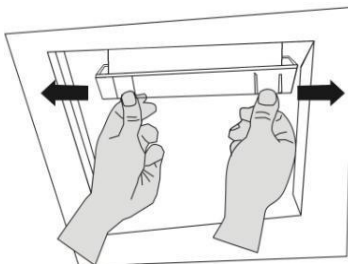
ATTENTION:

Carbon filter cannot be washed and must be replaced with a new one in accordance with the description above

Cleaning Oil Container

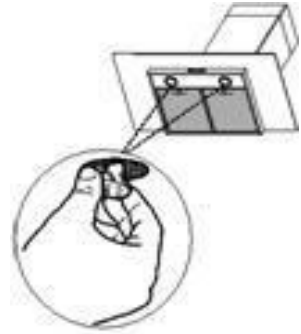
Clean the oil cup when cleaning aluminum filter together, or if the cup already filled a half of cup.

- Remove the oil cup by slide to left or right as the slot.
- Wash using soap water, rinse and drying.
- Re-install the oil up on the exact position.



Changing The Light Bulb

1. Turn off the Hood and unplug the power cord.
2. Disconnect the wire and remove the lamp from exhaust hood body.
3. Change the bulb with the same size and power type.
4. Install the new lamp on the exhaust hood body and reconnect the wire



PART 6: TROUBLESHOOTING

Do check the things below before contacting our Service Center, if there is any interference with your exhaust hood:

Problem	Possible Cause	Recommended Action
Exhaust hood is not working	Power cord is not yet connected to the electrical socket. Electrical socket does not have any electricity	Connect the power cord to the electrical socket. Connect the power cord to a properly functioning electrical socket
Deteriorating of Suction Power	Dirty aluminum filter Dirty carbon filter	Clean the aluminum filter, dry it and place it back on the exhaust hood. Replace the carbon filter with a new one.
Motor fan is not functioning	Motor coil is broken	Contact MODENA Call Center
Motor stops working after a while	Safety thermal regulator is active	The vent hood is installed too close to the stove. Air circulation is not optimal. Contact MODENA Service Center.

PART 7: PRECAUTION

- Make sure the hood is turned on after a while to allow the air around the cooking area to circulate properly and make sure the hood is turned off after this process.
- Periodically inspect the filter and oil reservoir. Make sure that the filter is in clean and good condition and make sure the oil reservoir is not exceeding the specified limit.
- If you smell burnt / burnt smell from the hood, immediately turn off the hood and contact the MODENA Service Center.
- Perform a routine service on your stove every 3 (three) months, because if there are problems / problems with your exhaust hood, it can be immediately identified and repaired. Contact MODENA Service Center

PART 8: SPECIFICATION

Model	CX 6150	CX 9150
Type	Chimney - Wall	Chimney - Wall
Cabinet Material	Stainless Steel	Stainless Steel
Cabinet Color	Stainless	Stainless
Front Panel Color	Stainless	Stainless
Motor	1 Turbo	1 Turbo
Control Panel	Push Button	Push Button
Fan Speed	3	3
Filter Type	Cassette Aluminum Filter + Carbon Filter + Filter Vit.C	Cassette Aluminum Filter + Carbon Filter + Filter Vit.C
Germinator / Ionizer	Yes	Yes
Voltage (V)	220 – 240V~ 50/60Hz	220 – 240V~ 50/60Hz
Motor Power	200 W	200 W
Lamp Power	7 Watt	7 Watt
Suction Power (m3/h)	900	1000
Dimension (L x W x H) mm	600 x 500 x (580-1040)	900 x 500 x (580- 1040)

