

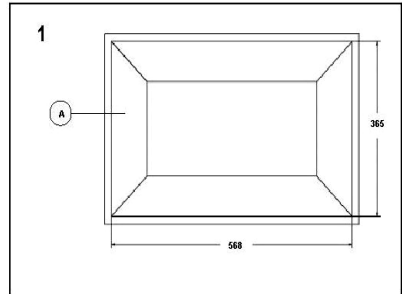
User Manual Book Built – In Frame

FM 3000 L, FM 3000
FM 2000 L, FM 2500

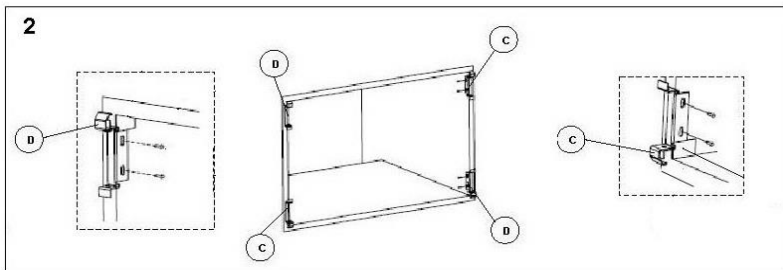
INSTALLATION

To install the frame of microwave (FM 2000, FM 2500, FM 3000) on the kitchen cabinet, follow the installation below:

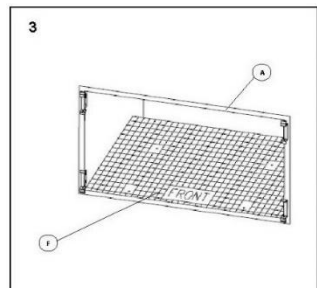
1. Make space to put a microwave oven in your kitchen cabinets will be installed frame with space size 566 mm x 550 mm x 366 mm



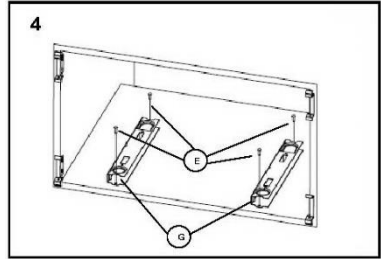
2. Attach 4 pieces Holder with 2 screws each holder on the left and right side in the space provided.



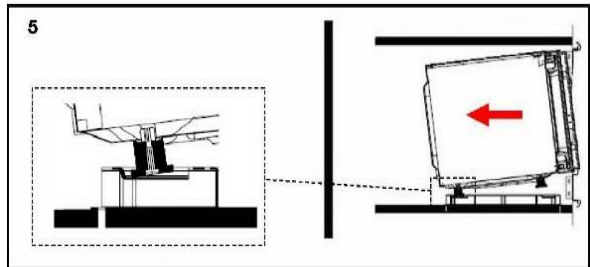
3. Attach the template on the bottom of the space that has been prepared to determine the position of the buffer / support.



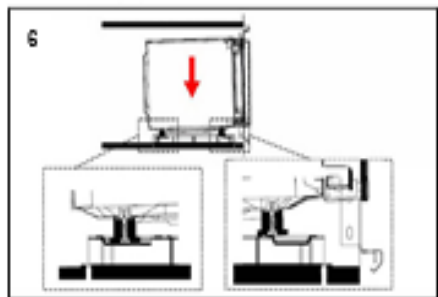
4. Attach both buffer/support with 2 screws on each buffer / support.



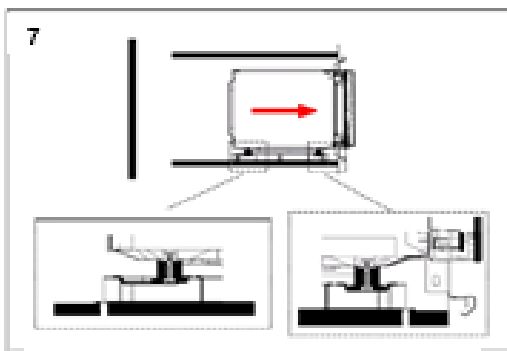
5. Insert your microwave into a space that has been provided with put a back legs microwave first above the hole buffer/support.



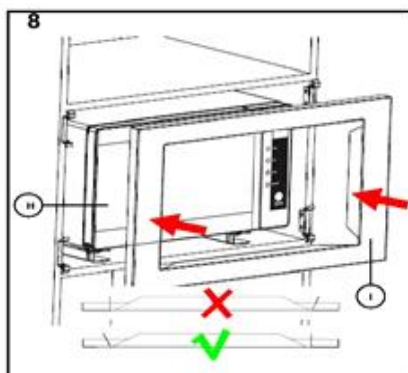
6. Adjust the position of the microwave with the position of the back legs into the holes on the buffer / support the back and most of the front legs into the holes on the buffer / support the front.



7. To strengthen the position of the microwave, pull forward the microwave until the foot of front side into the hole of buffer / support the front.



8. Attach the frame microwave from front to relate with the holder.



9. Ensure the frame microwave installed correctly and neatly.

